

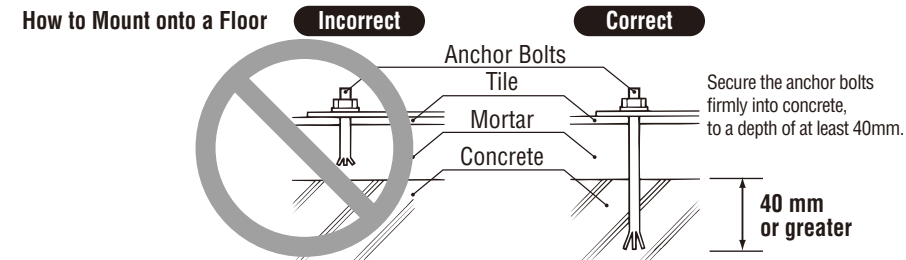
## Baby Keep Slim FL Installation Manual(to a flat surface)

In order to safely install the Baby Keep Slim FL onto a flat surface, please make sure you read this manual and follow the instructions accordingly. This guide explains how to attach the Baby Keep Slim FL to a wall. To attach the Baby Keep Slim FL in a corner, please refer to the Installation Manual supplied with the Corner Mounting Kit, sold separately.

### WARNING

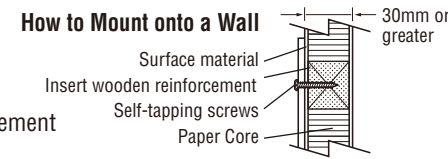
- Fix the Baby Keep to both the floor and the wall. The Baby Keep may fall if attached only to a floor.

- Select the anchor bolts that can be firmly secured into concrete, to a depth of at least 40mm. This product may collapse if the anchor bolts are connected to a mortar surface.



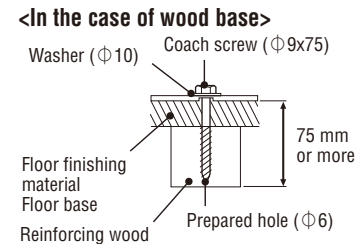
- Apply foundational reinforcement if the wall surface is other than concrete.\*Make sure that each mounting point can withstand a strength of 200 N (20 kgf or more)[fix 4 mounting points]. Failure to do so may result in fall.

- When mounting to drywall with self-tapping screws, reinforce the mounting points with light gauge steel (studs or cross-braces), or reinforcement plywood along with the screws. Failure to do so may result in fall.



- When mounting to a partition with self-tapping screws, insert snug-fitting wood reinforcement of at least 30 mm at the mounting points. Failure to do so may result in fall.

- Make sure that the following conditions are met when installing on a wood base. Make sure that the total thickness of floor finishing material (flooring plywood, etc.), floor structure material (particleboard, etc.) and reinforcement material (woodblock, etc.) should be 75mm or more and install it by following installation process. It may cause tip over if it is not strictly followed.
- Do not install the product on the floor that does not have pull out strength. (In case the driving destination is on the cut end of the wood, etc.) It may cause tip over if it is not strictly followed.
- When installing on the wood base, do not install on the floor where ancillary equipment (floor heating, etc.) is installed under the floor.

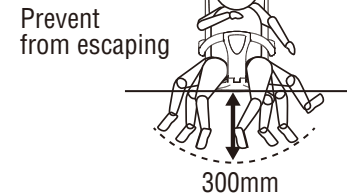


- When replacing from another product (such as a similar diaper changing station), be sure to check the wall strength.

### Installation Location (Installation Range)

To assist the child promptly, do not install the unit far from the caregiver.

- Height of Installation Location**

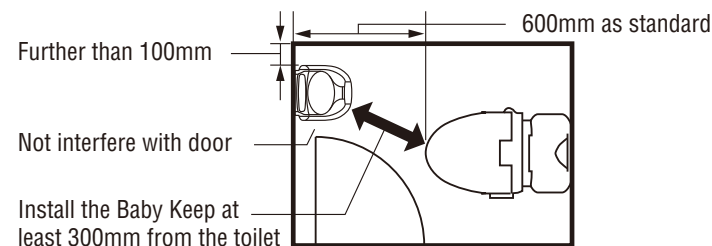


### WARNING

Below the seating surface, as described in the diagram on the left, do not place handrails (including hinged one), trash can, or other objects. The child may stand up and escape and may fall.

### WARNING

Install the unit where the caregiver can see the child.



- Install on a wall at least 600mm away from the toilet, or insure 300mm of space between the Baby Keep Slim FL and toilet.

### WARNING

If installing the Baby Keep Slim FL in a private restroom, install the Baby Keep Slim FL in a location where the child can be seen by the adult using the restroom at all times.

### CAUTION

The Baby Keep Slim FL should be installed clearly from door space. otherwise it may cause damage.

### Types of Screws used for Wall-mounting

① to ③ indicate the types of wall surface below.

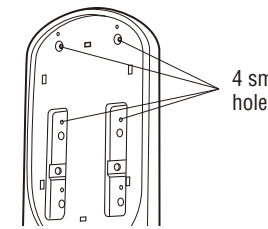
\*Only self-tapping screws and washers are supplied with the Baby Keep Slim FL. Parts other than the supplied hardware will need to be obtained separately.

#### ① Partition/Plasterboard Installation

- Self-tapping screws**

φ5x35 self-tapping screws (supplied with Baby Keep Slim FL)

φ5 washers (supplied with Baby Keep Slim FL)



#### Partition Reinforcement

Place a piece of wooden reinforcement at least 30mm in thickness inside the wall  
\*Note that installing reinforcement wood is extremely important.

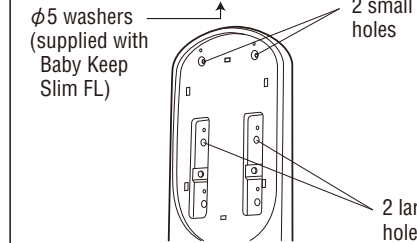
#### Plasterboard Reinforcement

Reinforce plasterboard with a light-weight steel frame, t12 plywood, or t2.3 iron plate.

#### ② Concrete/ALC Installation

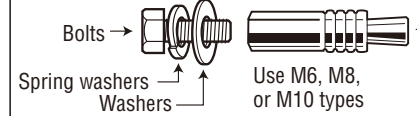
- Screws for use on concrete**

φ5x35 → φ5 washers (supplied with Baby Keep Slim FL)



- Female screw anchor bolts**

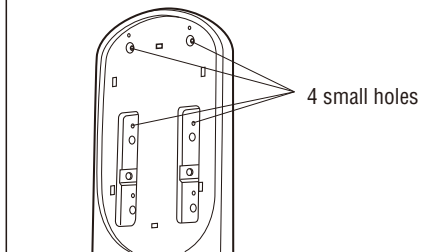
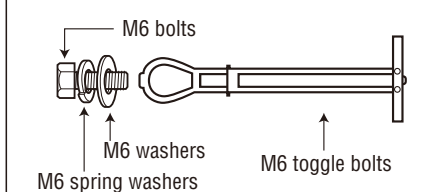
\*Use ALC-specific anchors for ALC installation



Do not use male screw anchor bolts, as it may not be possible to attach the head pad.

#### ③ Hollow Block Installation

- Toggle bolts**

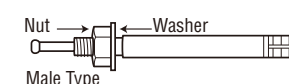


### Floor

#### Concrete

- M10 Anchors 3 Locations**

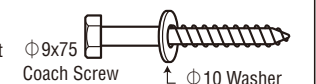
\*Refer to the WARNING column on the left for the selection of the length.



#### Wood

- Coach Screw 5 Locations**

\*Refer to the WARNING column on the left for the selection of the length



### Parts Included

<b>1</b> Washers (φ10), 3 	<b>2</b> Self-tapping screws (φ5x35), 4 	<b>3</b> Washers (φ5), 4 	<b>4</b> Screw caps, 2 	<b>5</b> Head pad, 1 
<b>6</b> Usage instructions sticker, 1 	<b>7</b> Guide stickers, 2 	<b>8</b> Braille sticker, 1 	<b>9</b> Users Manual, 3 Installation Manual, 3 	

See back for mounting instructions.

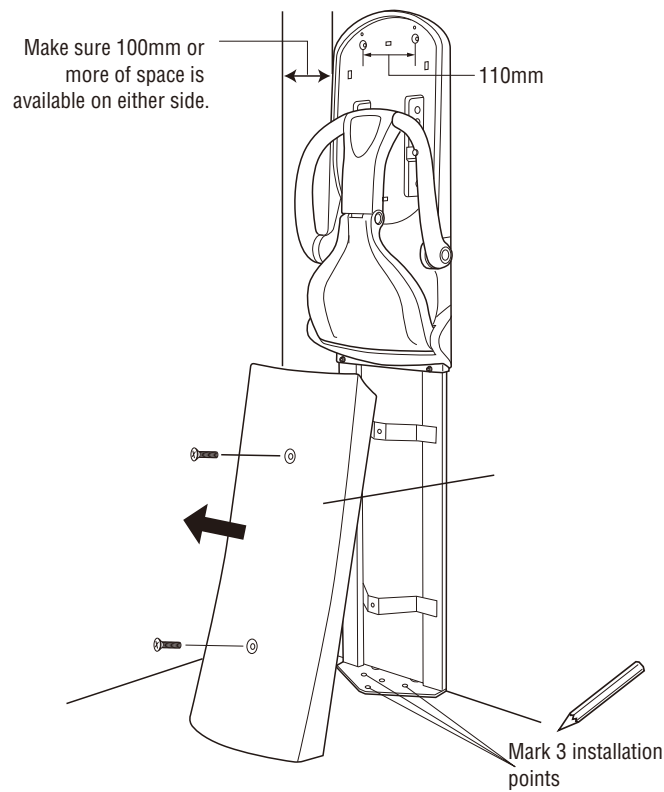
\*For information on products, contact the distribution agency.

Manufacturer **Combi Corporation**  
2-6-7, Motoasakusa, Taito-ku, Tokyo 111-0041 Japan

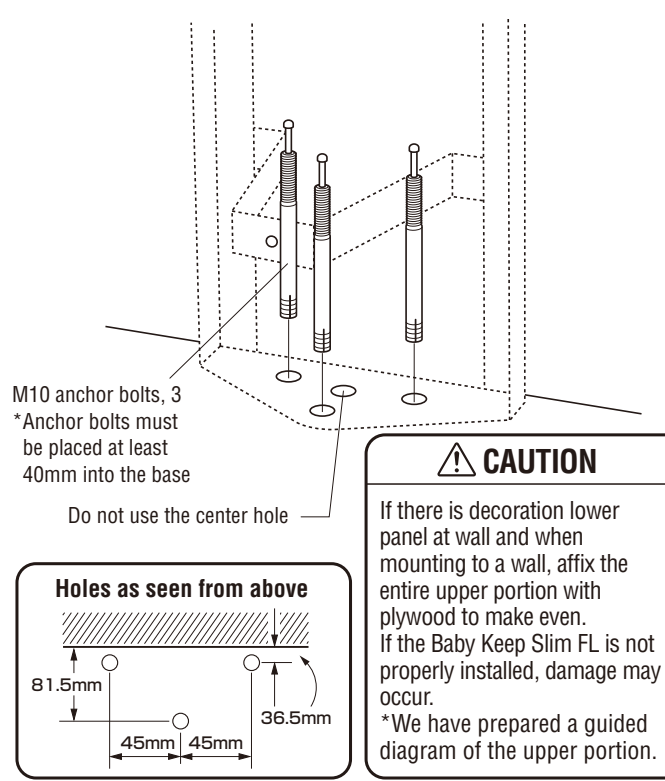
Distributor **CombiWith Corporation**  
Head Office/2-6-7, Motoasakusa, Taito-ku, Tokyo 111-0041 Japan  
TEL : 81-3-5828-7631 FAX : 81-3-5828-7630  
www.combiwith.co.jp/

# Installation Instructions \* Hole positions are all center pitch (center-to-center) dimensions.

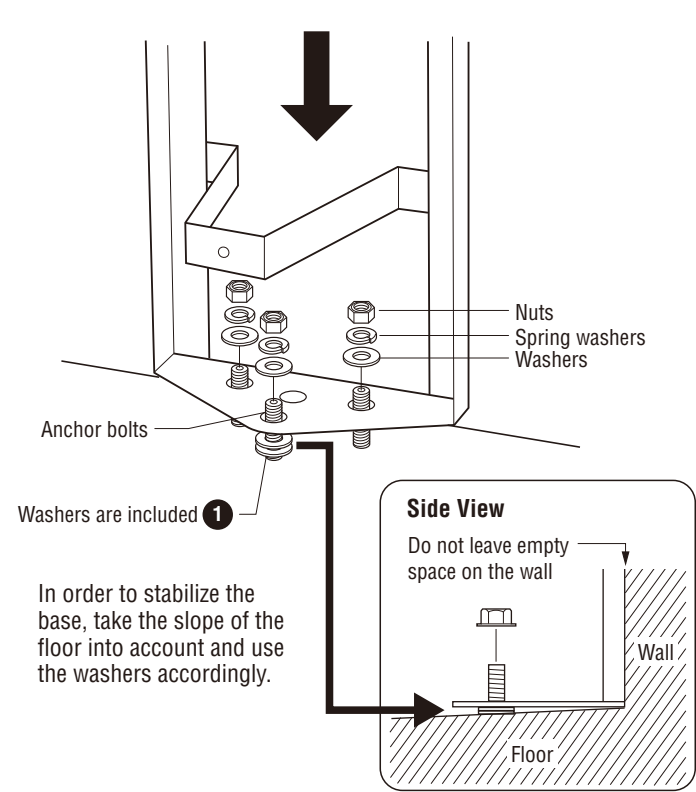
**1** Remove screws on the lower panel. Confirm and mark installation points.



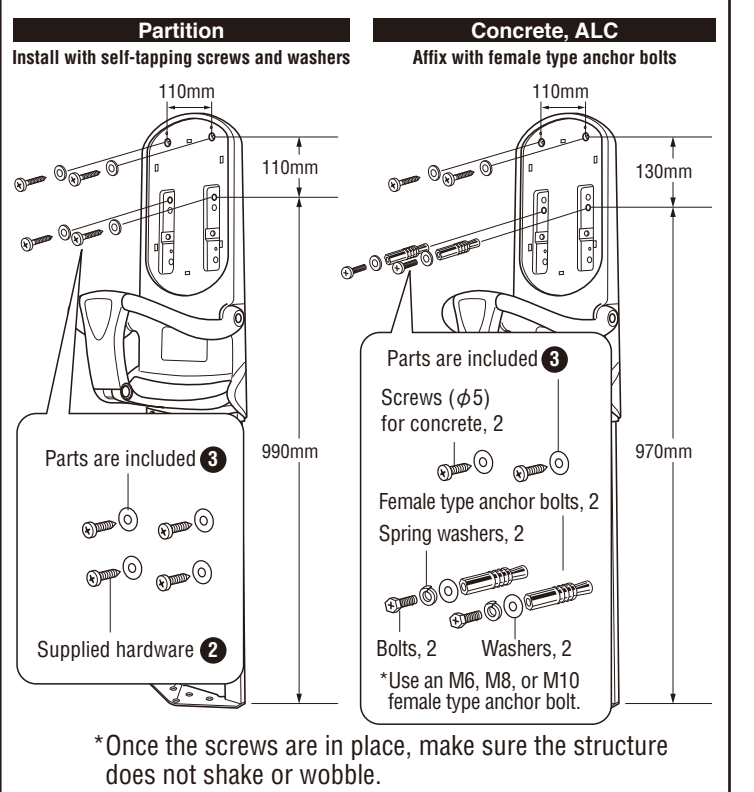
**2** Remove the base, and screw in the three anchor bolts where indicated.



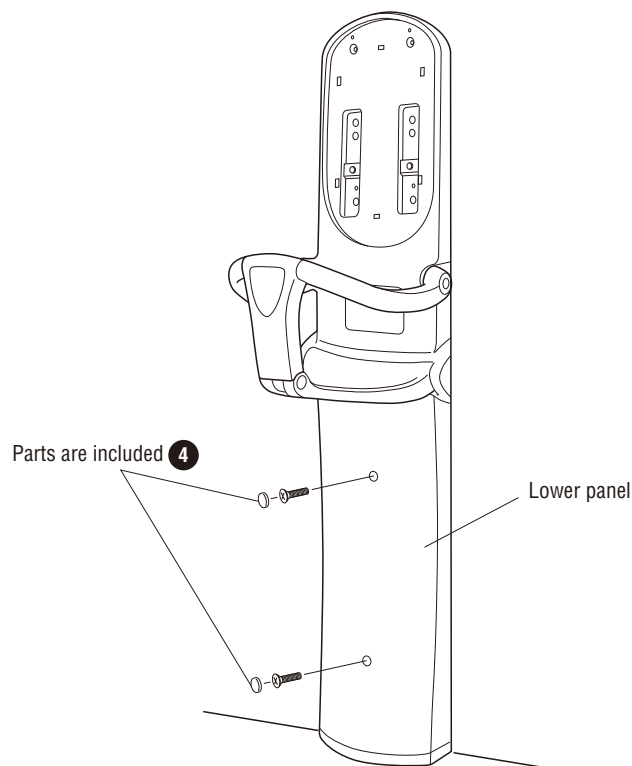
**3** Return the base to its original location as indicated above, and fix the Baby Keep Slim FL to the floor at three mounting points.



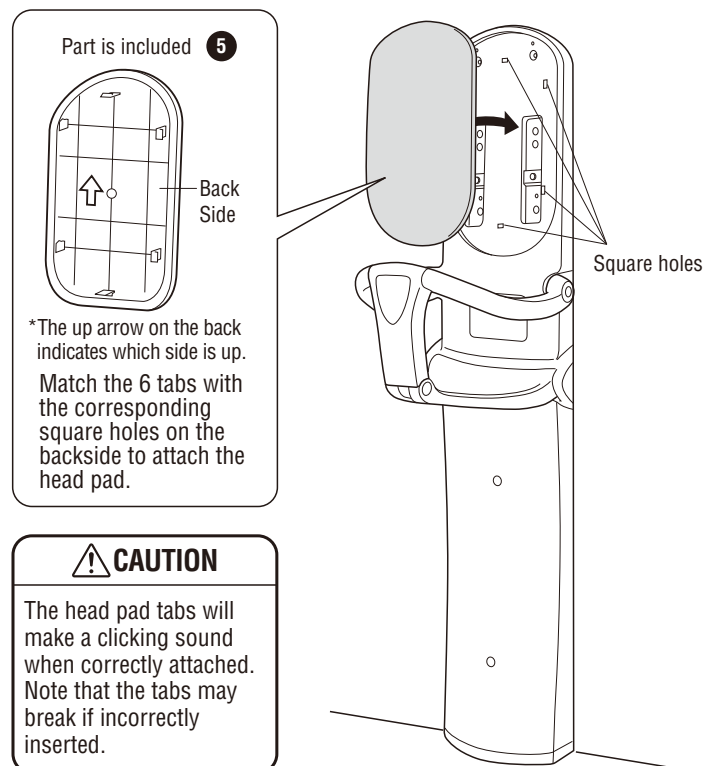
**4** Fix the Baby Keep Slim FL to the wall at four mounting points. (Refer to "Types of Screws Used for Wall-mounting" on the other side of this instructions)



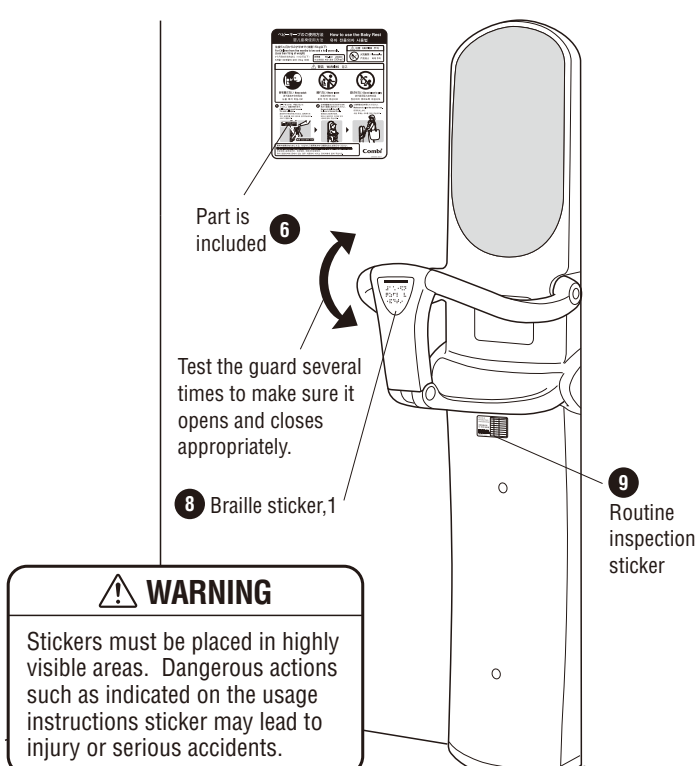
**5** Attach the lower panel.



**6** Attach the head pad. (Make sure the correct side is up.)



**7** Put **6** stick near the product  
Put **8** & **9** stickers on the product.



**8** Affix the guide stickers to the restroom entrance and to the stall doors.

