

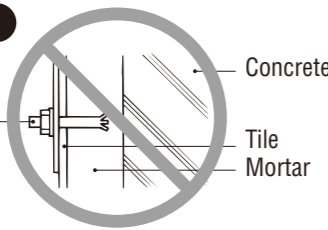
Baby Keep Slim WA Installation Manual (to a flat surface)

In order to safely install the Baby Keep Slim WA to a flat surface, please make sure you read this manual and follow the instructions accordingly. This guide explains how to attach the Baby Keep Slim WA to a wall. To attach the Baby Keep Slim WA in a corner, please refer to the Installation Manual supplied with the Corner Mounting Kit, sold separately.

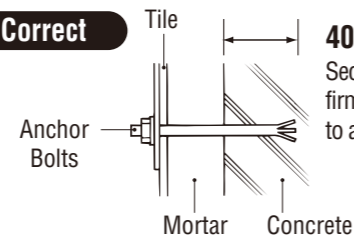
WARNING

- Make sure that installation hardware such as anchor bolts are firmly placed into the wall. (Failure to do so may result in fall.)
- If mounting onto a concrete wall, the tip of the anchor bolts must be embedded at least 40mm into the wall. Failure to do so may result in fall.

Incorrect



Correct



40 mm or greater
Secure the anchor bolts firmly into concrete, to a depth of at least 40mm.

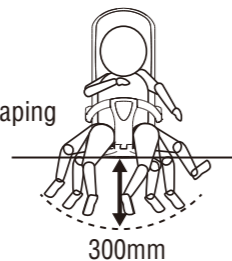
- Apply foundational reinforcement if the wall surface is other than concrete.
- *Make sure that each mounting point can withstand a strength of 1,000 N (100 kgf or more)[fix 8 mounting points]. Failure to do so may result in fall.

Installation Location (Installation Range)

To assist the child promptly, do not install the unit far from the caregiver.

Height of Installation Location

Prevent from escaping



WARNING

Install the unit where the caregiver can see the child.

WARNING

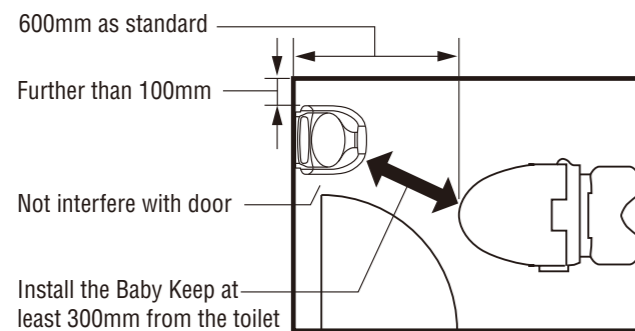
Below the seating surface, as described in the diagram on the left, do not place handrails (including hinged one), trash can, or other objects. The child may stand up and escape and may fall.

WARNING

If installing the Baby Keep Slim WA in a private restroom, install the Baby Keep Slim WA in a location where the child can be seen by the adult using the restroom at all times.

CAUTION

The Baby Keep Slim WA should be installed clearly from door space. Otherwise it may cause damage.



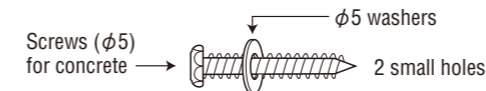
- Install on a wall at least 600mm away from the toilet, or insure 300mm of space between the Baby Keep Slim WA and toilet.

Types of Screws used for Wall-mounting

Concrete/ALC Installation

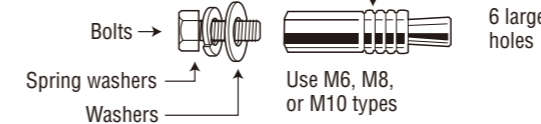
Please prepare the following before installation:

• Screws for use on concrete



• Female screw anchor bolts

*Use ALC-specific anchors for ALC installation



CAUTION

Do not use male screw anchor bolts, as it may not be possible to attach the head pad.

Parts Included

1 Screw caps, 2



2 Head pad, 1



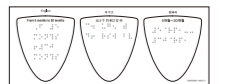
3 Usage instructions sticker, 1



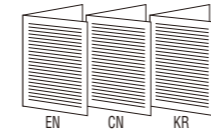
4 Guide stickers, 2



5 Braille sticker, 1



6 Users Manual, 3 Installation Manual, 3



See back for mounting instructions.

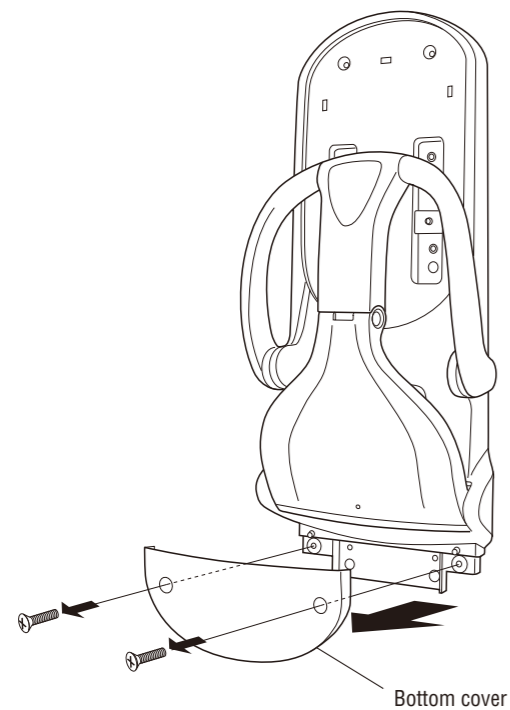
*For information on products, contact the distribution agency.

Manufacturer **Combi Corporation**
2-6-7, Motoasakusa, Taito-ku, Tokyo 111-0041 Japan

Distributor **CombiWith Corporation**
Head Office/2-6-7, Motoasakusa,
Taito-ku, Tokyo 111-0041 Japan
TEL : 81-3-5828-7631 FAX : 81-3-5828-7630
www.combiwith.co.jp/

Installation Instructions * Hole positions are all center pitch (center-to-center) dimensions.

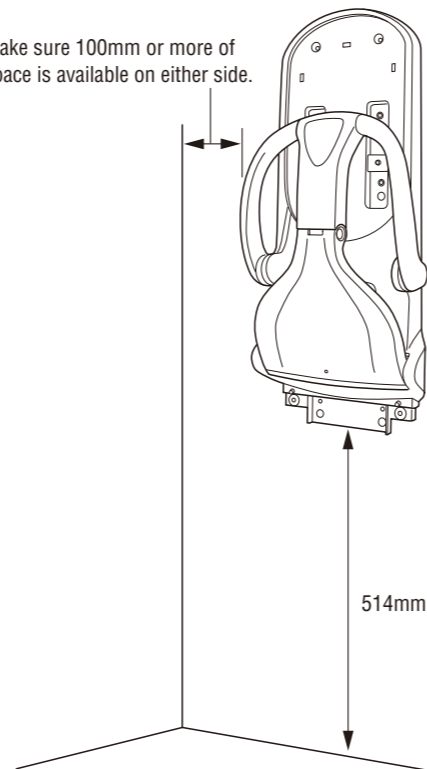
1 Remove the two screws from the bottom cover of the base.



Bottom cover

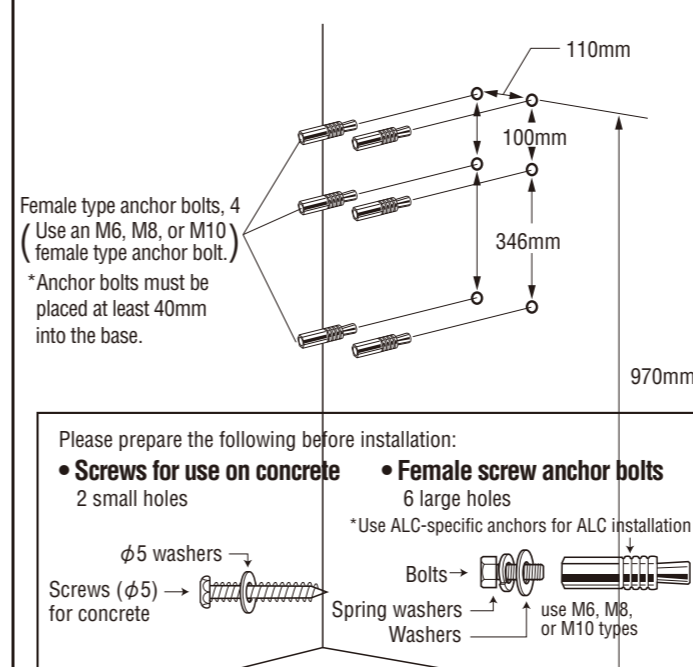
2 Confirm points of installation

Make sure 100mm or more of space is available on either side.

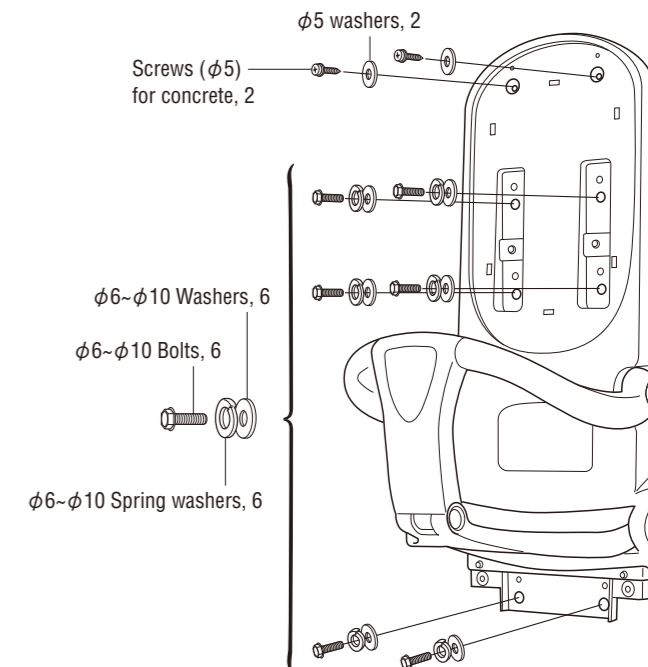


514mm

3 Screw in female type anchor bolts.

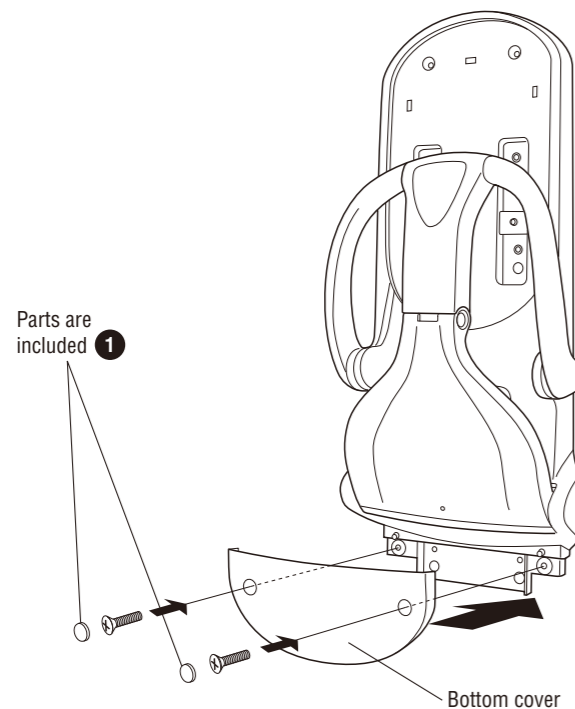


4 Fix the Baby Keep Slim WA to the wall at four mounting points.
(Refer to "Types of Screws Used for Wall-mounting" on the other side of this instructions)



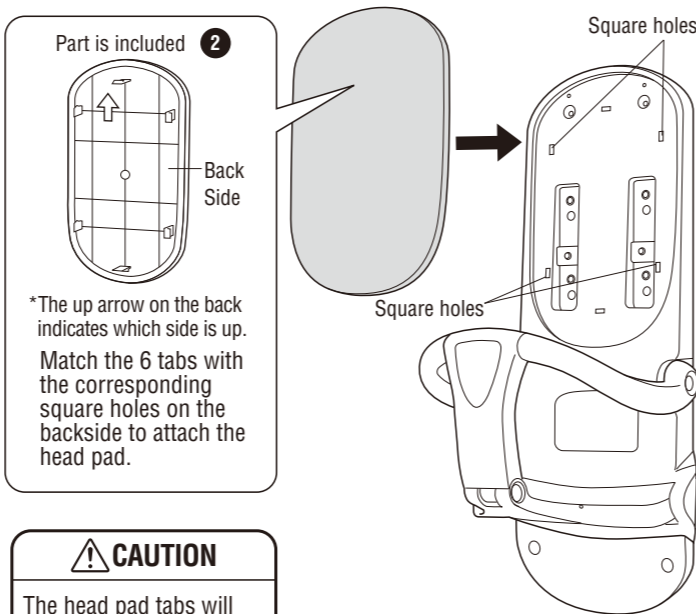
*Once the screws are in place, make sure the structure does not shake or wobble.

5 Place the bottom cover on the base.



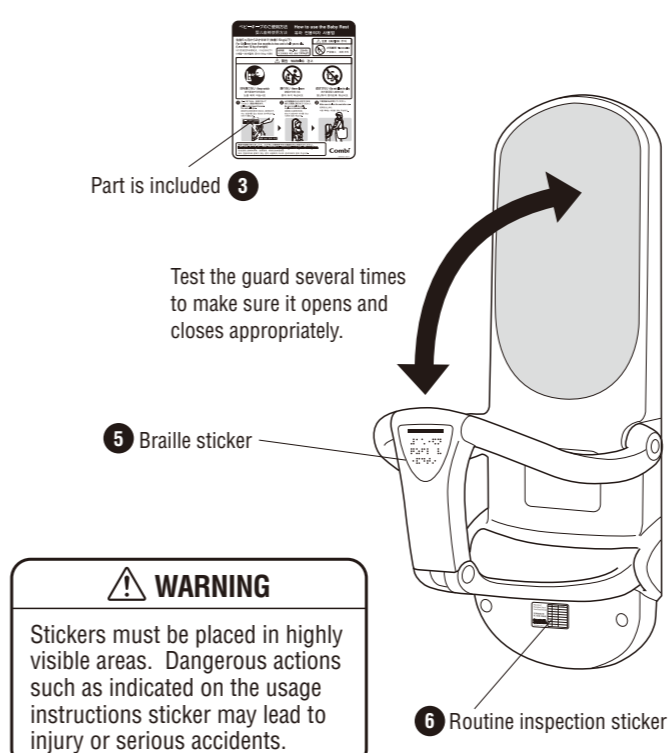
Bottom cover

6 Attach the head pad.
(Make sure the correct side is up.)



CAUTION
The head pad tabs will make a clicking sound when correctly attached. Note that the tabs may break if incorrectly inserted.

7 Put **3** stick near the product
Put **5** & **6** stickers on the product.



WARNING
Stickers must be placed in highly visible areas. Dangerous actions such as indicated on the usage instructions sticker may lead to injury or serious accidents.

8 Affix the guide stickers to the restroom entrance and to the stall doors.



WARNING
Thoroughly check the Baby Keep Slim WA once it has been installed. Refer to the Users Manual "Maintenance Inspection" section. Using the Baby Keep Slim WA without completely assembling it can lead to injury or serious accidents.