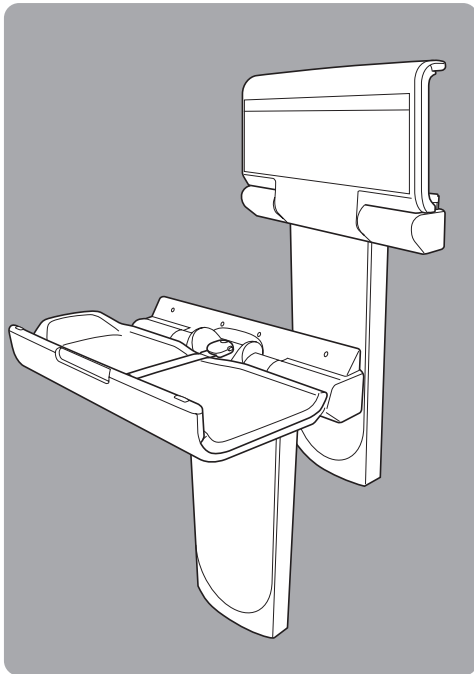


## Diaper Changing Station “Baby Seat MS”

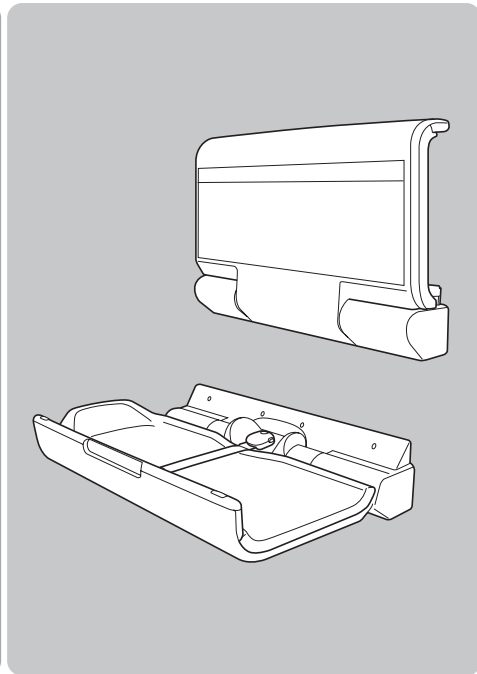
Save This Manual for Future Reference

### Diaper Changing Station Baby Seat MS-F type Baby Seat MS for Train

### Daily Inspection·Periodic Inspection Manual



Baby Seat MS-F Type (with foot)



Baby Seat MS for Train (no foot)

Above 2 types are the basic shapes of the Baby Seat MS.

Each product has different symbol at the end, but the shape does not change.

(Product without a symbol at the end is model with a foot, F type)

Example, Baby Seat MS-F52, Baby Seat MS

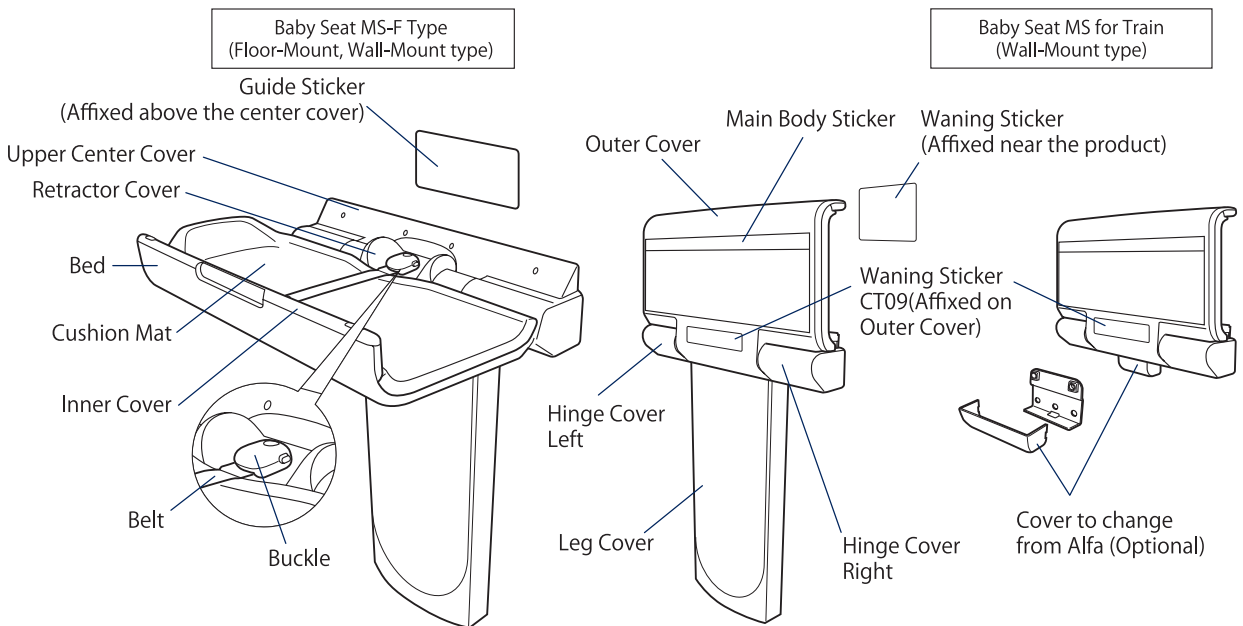
## Introduction

This manual describes the details of "Daily Inspection" and "Periodic Inspection" required to use the diaper changing table "Baby Seat MS" comfortably and safely. Always perform "Daily or Weekly Inspections" and "Periodic Inspections" once a year in accordance with the contents of this manual.

## Table of Contents

|                           |     |                              |       |
|---------------------------|-----|------------------------------|-------|
| 1. Part Names .....       | P 2 | 4. Periodic Inspection ..... | P 4~7 |
| 2. Required Tools .....   | P 2 | 5. Others .....              | P 8   |
| 3. Daily Inspection ..... | P 3 |                              |       |

## 1 Part Names



## 2 Required Tools

### Daily Inspection

No tools are required for daily inspections.

### Periodic Inspection

Phillips Screwdriver, Hexagon Bar Wrench (contrasting 2.5MM), Wrench, etc.

### Warning

Be sure to tighten the screws manually.

If an electric screwdriver is used, the plastic parts may be damaged.

### Duration of Product Life

The product life is 7 years when it is used normally, so please replace the product in 7 years after it has been installed.

The storage period for repair parts is 5 years after the end of production of the product.

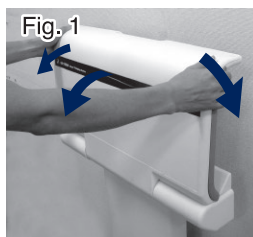
### 3 Daily Inspection

- Daily inspections are performed daily or weekly by visual inspection and touch. No tools are required.
- If a problem is found, stop using it immediately and perform repairs.

#### (1) Checking External Appearance (Fig. 1)

- ① Check that parts are not broken or that the cushion mat is not floating.
- ② Shake the main unit to confirm that there is no rattling in the main unit.
- ③ Check that there are no scratches or cracks.

Checking External Appearance




Checking Table Operation



#### (2) Checking the Opening/Closing Operation of the Table (Fig. 2)

- ① Check that there is no rattling in the table by swinging the table to the left and right.
- ② Check that the table is open and closed smoothly.

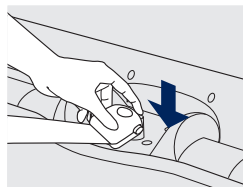
#### (3) Checking Stickers

| Inspection Points                                  | Affixed Location   | Inspection Method | Judgment Criteria  | Handling of Defects |
|--|--|-------------------|--|---------------------|
| Guide Sticker<br>(Not available for for Train)     | <br>Toilet Entrance<br>or Toilet Door | Visual            | Must be affixed correctly and the contents can be checked.<br>(No scratches, tears, falling off, or discoloration)<br><br>*Marked stickers and panel boards contain warnings and precautions for safe use.<br>This is not applicable to for Train. | Replace-ment        |
| Main Body Sticker<br>(Not available for for Train) | Front of<br>Outer Cover  |                   |  |                     |
| Warning Sticker CT09*                              | Front of<br>Outer Cover  |                   |  |                     |
| Explanation Sticker*                               | At opposite side<br>when table<br>is open.   |                   |  |                     |
| Warning Sticker*                                   | Easily visible<br>location<br>near product   |                   |  |                     |

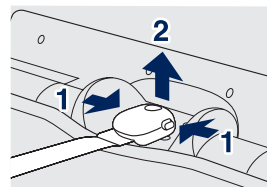
#### (4) Checking Belt and Buckle (Fig. 3)

- ① The buckle shall be free from scratches, cracks, and rattling.
- ② Buckles can be securely locked and unlocked.
- ③ Check the belt for fraying or damage.
- ④ Belt locking and unlocking must be ensured.

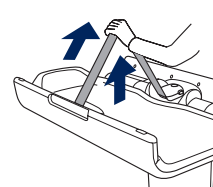
Checking Lock of Buckle



Checking Release of Buckle



Checking Belt



| Inspection Points       | Inspection Criteria  |
|-------------------------|--|
| Appearance              | <ul style="list-style-type: none"> <li>· No dislocation of parts or floating of cushion mat</li> <li>· Shake the main unit to make sure that there is no rattle in the main unit.</li> <li>· No scratches, cracks, etc.</li> </ul>                           |
| Open and Close of Table | <ul style="list-style-type: none"> <li>· Check that there is no rattle in the table by swinging the bed part to the left and right.</li> <li>· Check that opening and closing of the table is smooth.</li> </ul>   |
| Stickers                | <ul style="list-style-type: none"> <li>· No peeling</li> <li>· Contents are readable.</li> </ul>   |
| Belt, Buckle            | <ul style="list-style-type: none"> <li>· No scratches, cracks, rattling, etc. on the buckle.</li> <li>· The buckle can be securely locked and released.</li> <li>· No fray or damage on belt</li> <li>· Belt can be securely locked and unlocked.</li> </ul> |

## 4 Periodic Inspection

- Periodic inspections are regularly conducted about once a year.
- For periodic inspection, check the daily inspection points and disassemble the product. Remove each part by following product disassembly procedure and check the condition of each part by following inspect method (periodic inspection).
- If any defects are found in the following items, immediately stop using the product and perform repairs.

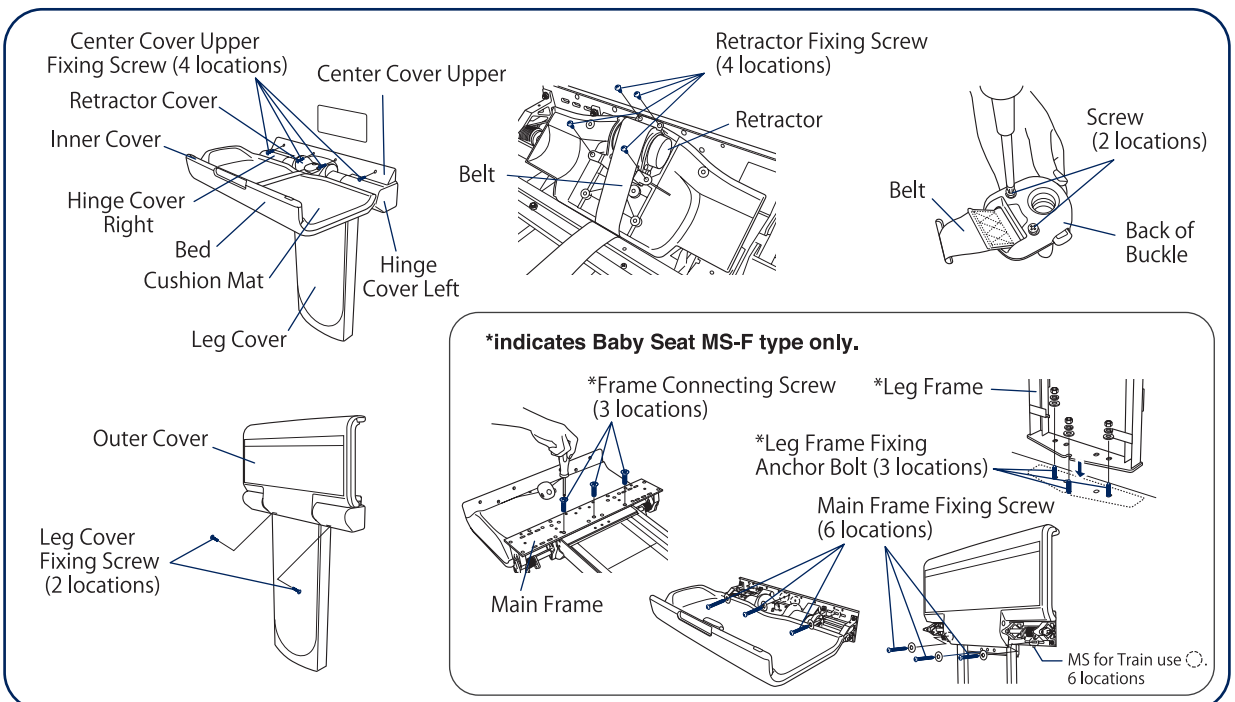
| No | Inspection Points  | Inspection Method    | Judgement Criteria              | Handling of Defects                         |
|----|--|----------------------|---------------------------------|---|
| 1  | Center Cover/Upper Fixing Screw (4 locations)                                      | Hexagon Bar Wrench   | Not missing, No Looseness       | Replacement                                 |
| 2  | Mani Body Fixing Screw (6 locations)   | Phillips Screwdriver | Not missing, No Looseness       | Replacement                                 |
| 3  | Leg Cover Fixing Screw (2 locations)   | Hexagon Bar Wrench   | Not missing, No Looseness       | Replacement                                 |
| 4  | Leg Frame fixing Anchor Bolt (3 locations)   | Wrench               | Not missing, No Looseness       | Replacement                                 |
| 5  | Frame Connecting Screw   | Phillips Screwdriver | Not missing, No Looseness       | Replacement                                 |
| 6  | Rust on Main Frame   | Visual               | No Sever Rust                   | Discontinue Usage or Replace Entire Product |
| 7  | Screw at Back Side of Buckle (2 locations)<br>Retractor Fixing Screw (4 locations) | Phillips Screwdriver | Not missing, No Looseness       | Replacement                                 |
| 8  | Operation of Retractor   | Visual Touch         | Operate Smoothly<br>Lock safety | Replacement                                 |
| 9  | Check the buckle is securely fasten with click sound.                              | Visual Touch         | Operate Smoothly                | Replacement                                 |

(NOTE) The screws used for each part should be checked for crushing of the head or hexagonal holes, deformation of the screws, and rust. If any abnormality is found, replace the screws with new ones.

### (1) Part Names

Refer to the illustration and name below for the periodic inspection.

\*The figure below is explained in [Baby Seat MS-F Types].



## (2) Inspection Points

Check that there are no missing or looseness in the following items.

- Missing or Looseness of Center Cover Upper Fixing Screw (4 locations)

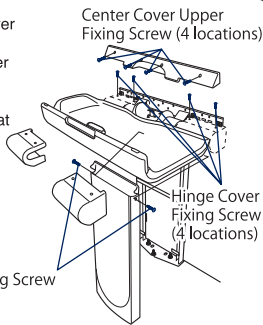
- Missing or Looseness of Hinge Cover Fixing Screw (4 locations)

- Missing or Looseness of Leg Cover Fixing Screw (2 locations) (Baby Seat MS-F only)

(For the disassembly method, refer "Inspection of Anchor Bolts and other Fixing Screws" on page 5-6.)

\*Diagram on right is explained in Baby Seat MS-F type.

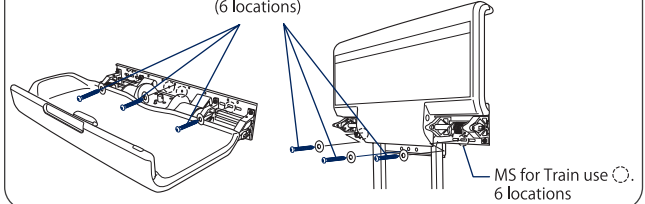
Leg Cover Fixing Screw (2 locations)



- Missing or Looseness of Main Frame Fixing Screw (6 locations) (For the disassembly method, refer "Inspection of Anchor Bolts and other Fixing Screws" on page 5-6.)

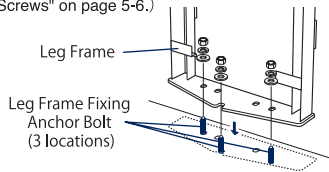
\*Diagram on right is explained in Baby Seat MS-F type.

Main Frame Fixing Screw (6 locations)



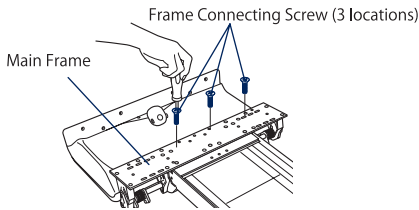
- Missing or Looseness of Leg Frame Fixing Anchor Bolt (3 locations) (Baby Seat MS-F type only)

(For the disassembly method, refer "Inspection of Anchor Bolts and other Fixing Screws" on page 5-6.)



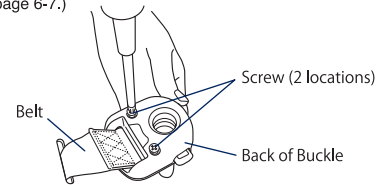
- Missing or Looseness of Frame Connecting Screw (3 locations) (Baby Seat MS-F type only)

(For the disassembly method, refer "Inspection of Anchor Bolts and other Fixing Screws" on page 5-6.)



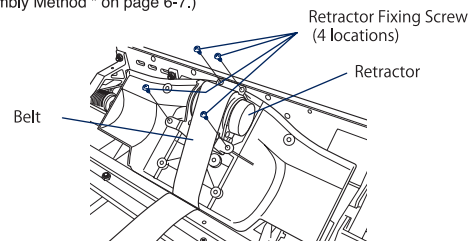
- Missing or Looseness of Screws on Back of Buckle (2 locations) (For the disassembly method, refer "Replacing Belt, Disassembly Method " on page 6-7.)

(For the disassembly method, refer "Replacing Belt, Disassembly Method " on page 6-7.)



- Missing or Looseness of Retractor Fixing Screw (4 locations)

(For the disassembly method, refer "Replacing Belt, Disassembly Method " on page 6-7.)

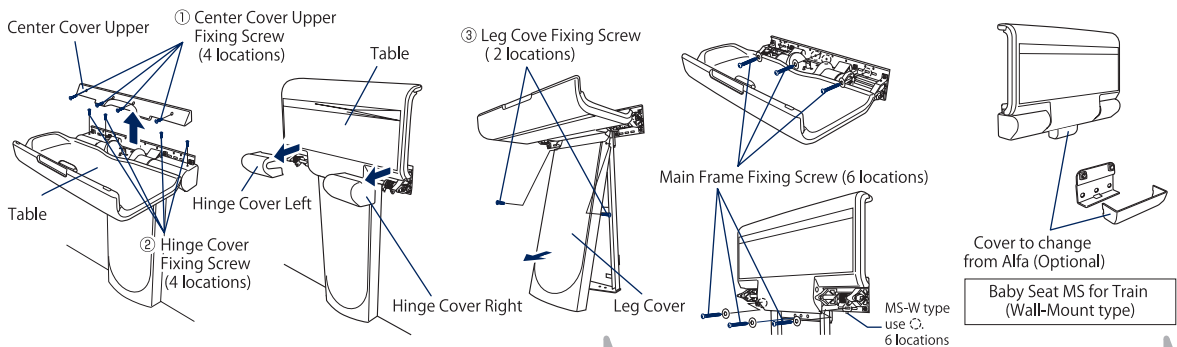


## (3) Disassembly Method

### ■ Inspection of Anchor Bolts and other Fixing Screws

Follow the procedure below to inspect anchor bolts and other fixing screws.

\*Diagram below is explained in Baby Seat MS-F type.

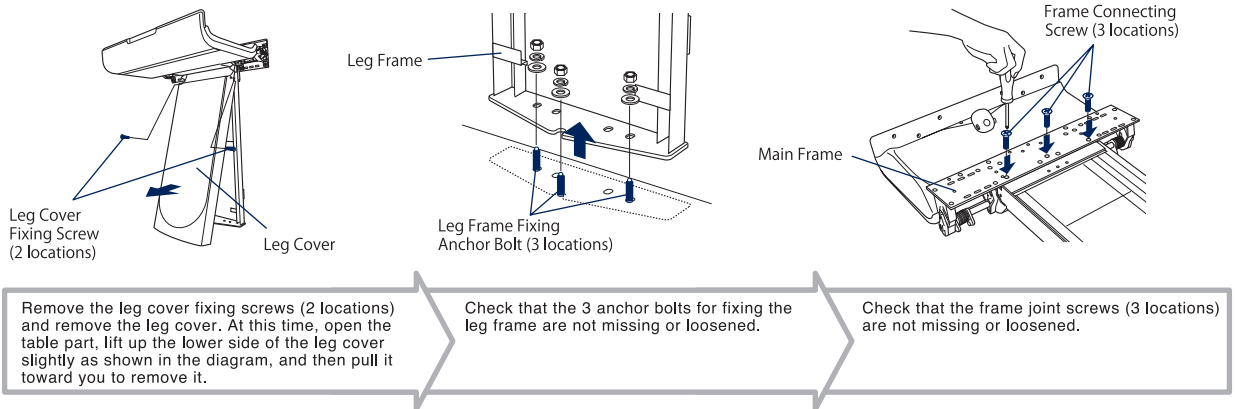


① Remove the center cover upper fixing screws (4 locations) and remove the center cover. ② Remove the hinge cover fixing screws (4 locations) and remove the hinge covers (both right and left). ③ (Only for MS-F types) Remove the leg cover fixing screws (2 locations) and remove the leg cover. At this time, open the table part, lift up the lower side of the leg cover slightly as shown in the diagram, and then pull it toward you to remove it.

Check that the screws for fixing the main frame (6 locations) are not missing or loosened. If you are using an Alpha replacement cover (optional for MS-W model only), remove the Alpha replacement cover with a flat head screwdriver and check that the screws, wall anchors, etc., are not missing or loosened.

## ■ Inspection of Anchor Bolts and other Fixing Screws (Baby Seat MS-F type only)

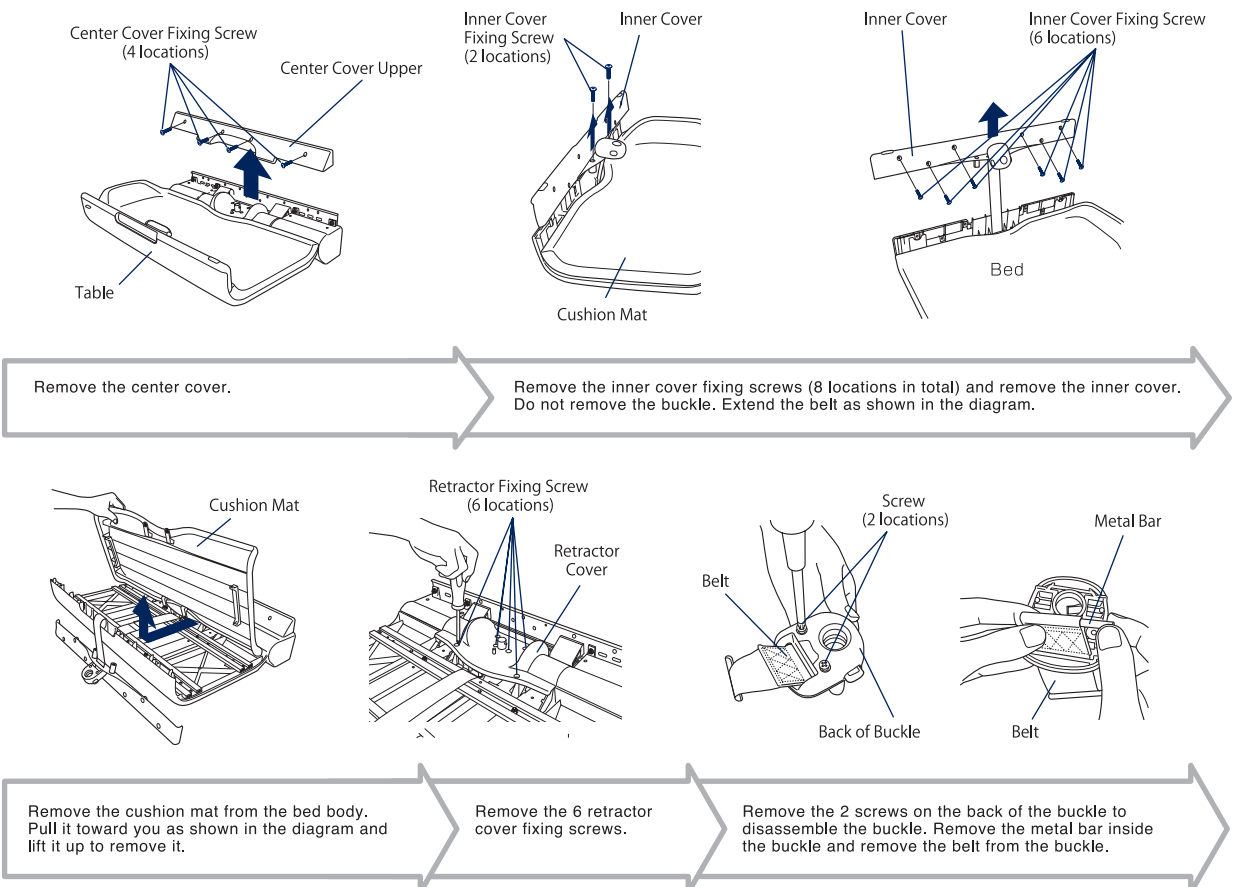
Follow the procedure below to inspect anchor bolts and other fixing screws after removing them in the order of center cover upper and hinge cover (right and left) according to the previous page.

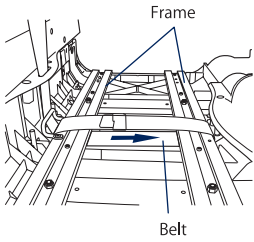


**If it is found that the belt has broken, frayed, or heavily soiled during inspection, we recommend that you purchase a retractor and replace it using the following method.**

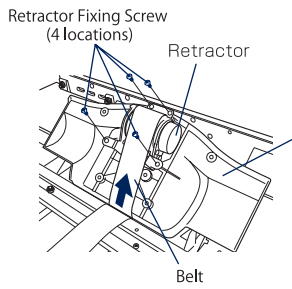
## ■ Procedure to Replace the Retractor

To replace the retractor, follow the procedure below. \*Diagram below is explained in Baby Seat MS for Train.

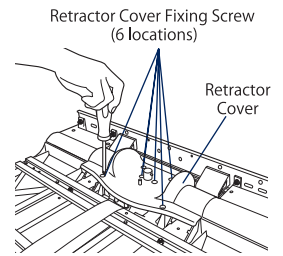




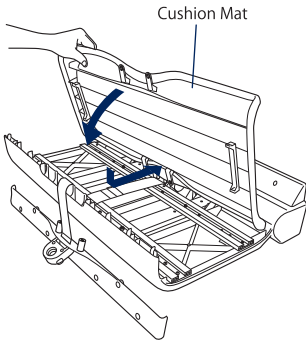
Lower the belt under the frame and wind it.



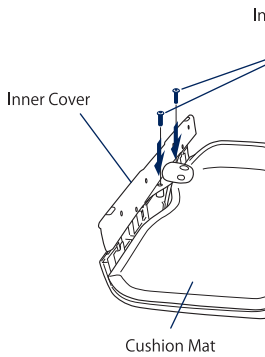
Turn the retractor cover over and replace the retractor with a new part.



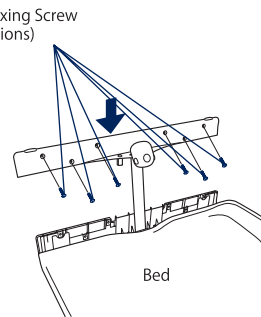
Attach the 6 retractor cover fixing screws.



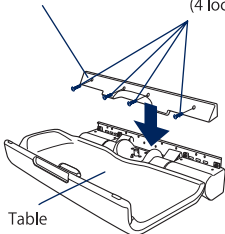
Attach the cushion mat by pushing it downward on the wall as shown in the illustration. After installation, check that there is no gap between the bed and cushion mat.



Install the inner cover fixing screws (8 locations) and check that they are not missing or loose.

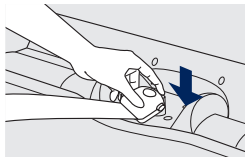


Center Cover Upper Center Cover Upper Fixing Screw (4 locations)



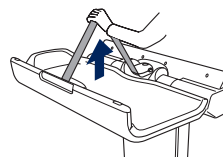
Install the center cover upper.

Check locking function of Buckle



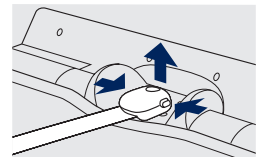
Pull out the buckle several times, pull out the belt, and make sure that it is retracted when you release your hand.

Check Belt



Make sure that the buckle clicks into the buckle and locks. Also, pull up near the center of the belt to check for any misalignment.

Check unbuckle



## 5 Others

### (1) Entry of Inspection Date

Enter the date of inspection on the supplied inspection sticker and affix it to the product before use.

●Inspection Sticker

|  |       |      |
|--|-------|------|
| 製品を安全に使用いただくために<br>定期的点検をお願いします。<br>販売：コムビウィズ株式会社<br>〒111-0041 東京都台東区<br>TEL:03-5828-4621<br>営業時間<br>平日 9:00~17:00<br>03-5828-0000 (7/24~11) | 点検年月日 | 点検場所 |
|  | 年 月 日 |      |
|  | 年 月 日 |      |
|  | 年 月 日 |      |
|  | 年 月 日 |      |
|  | 年 月 日 |      |

### (2) Warning Stickers

In order to use our products safely, we have prepared a warning sticker (for a fee) that prompts users to pay attention.

●Warning Sticker



Contact your local dealer for the purchase.

### (3) Cleaning

For cleaning, use a diluted neutral detergent to wipe, and then wipe it again with dry cloth.

Caution : Do not use detergents other than neutral detergents.

Plastics may deteriorate and it causes fading or cracking which may result in damage.

If any trouble is found in daily or periodic inspections,  
immediately stop using the product and contact your dealer for repair.

This manual can also be downloaded (PDF) from the CombiWith website.  
I would like to ask you to make the best use of it.