



# Combi Changing Board R1 CB13 Installation Manual

Install the product correctly in accordance with the contents of this manual to ensure that the product functions sufficiently.

## Safety Precautions

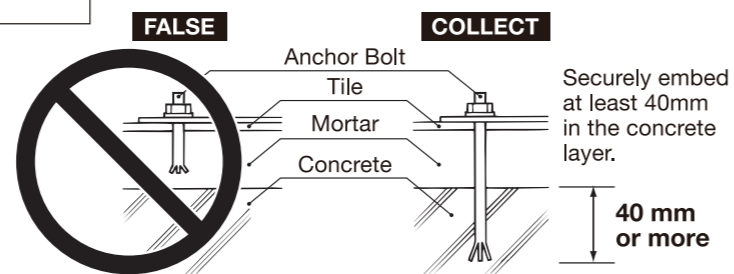
- The precautions shown here are classified into "Warning" and "Caution" according to the magnitude and imminence of the hazard or damage to the child or the person operating the product if the product is improperly handled. Be sure to read and follow the instructions carefully before use.

 <b>Warning</b>	Ignoring the instructions or misuse may result in severe injury or death.
 <b>Caution</b>	Ignoring the instructions or misuse may result in injury or property damage.

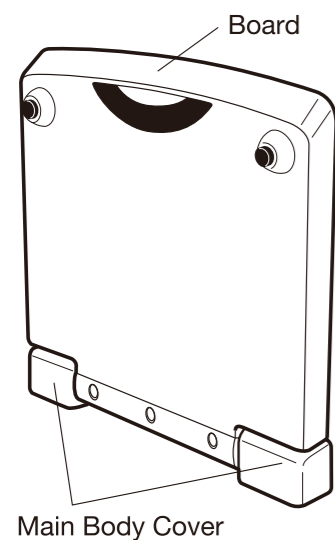
### Warning



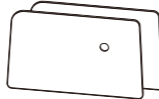



- Secure the product to the floor. Failure to observe this warning, it may fall.
- Ensure that anchor bolts, etc., are tightened firmly to the floor base. (If it is not securely fixed, the user may fall over.)

- When using anchor bolts, select anchor bolts with a length that can be securely fixed to the concrete layer.
- Do not fix to the mortar layer. (If it is not securely fixed, the user may fall over.)

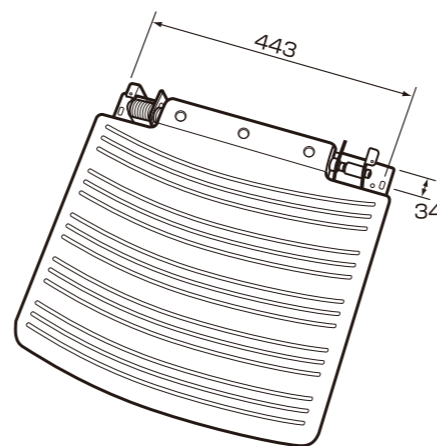


## Name and Accessories



Accessories		* Make sure following accessories are enclosed.	
Guide Sticker		2	
Rubber Bumper		1	
Tapping Screw		2	
Back Cover		2	
Small screw		2	
Instruction Sticker		1	
Set Cap		2	
This booklet (Instruction Manual)		1pc	

## Location of Hole for Installation



## Notes Before Installation

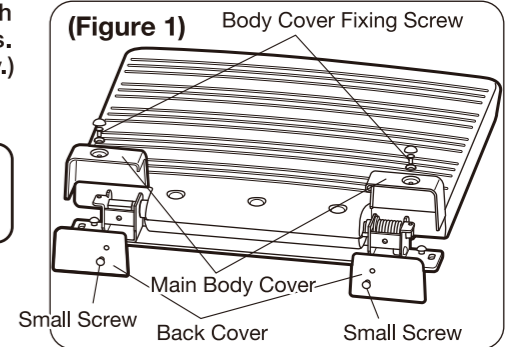
- \* Secure the product to the floor. \* Floor Mounting Precautions
- To fix the product to the floor, use M6 anchor bolts prepared separately. (2 pcs) (Anchor bolts for fixing to the floor are not enclosed.)

## Installation Procedure

- If the lower part of the wall surface (such as partition, etc.) is open, attach the supplied back cover to the body frame with the small screws. (If the lower part of the wall is not open, the back cover is not necessary.)
- Remove 2 main body cover fixing screws. (Figure 1)

### Caution

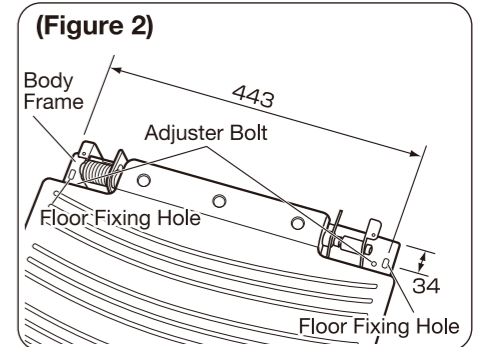
Be sure to open the board before removing the cover. (The cover cannot be removed unless the board is opened.)



- Secure the body frame to the floor. (Figure 2)

\* Use the adjuster bolts to install the unit horizontally on the floor.

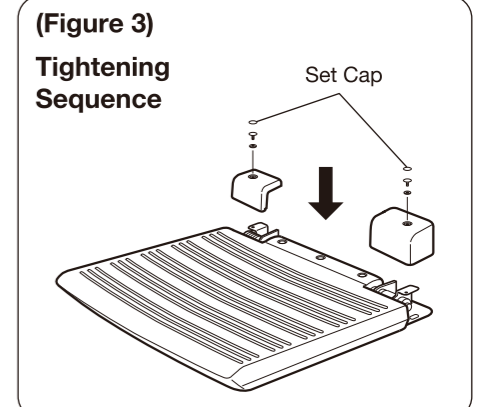
- Temporarily place the product in the mounting position and mark the floor anchor bolt position on the floor.
- Drill the specified hole in the floor with a drill to secure the anchor bolt in place.



- Tighten and fix the 2 main body cover fixing screws in order, and then attach the included set cap. (Figure 3)

### Caution

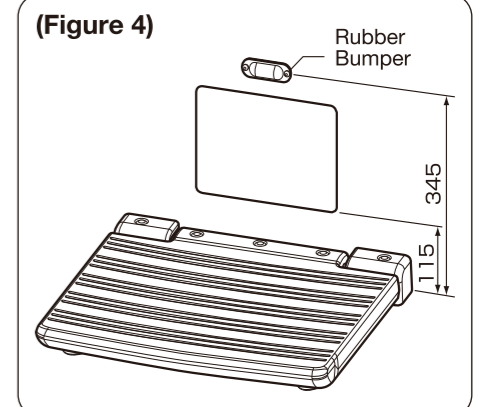
- Repeat opening and closing several times to ensure that there is no rattling.
- Check that the board moves easily and smoothly when opening and closing.



- Attach the rubber bumper to the wall with the supplied tapping screws. (Figure 4)

### Warning

Be sure to inspect the product after installation. (Refer Maintenance and Inspection for inspection points on front page) Using the product with incomplete installation may cause an injury or serious accident.



### Guide Stickers are enclosed.

When installing a "Changing Board", use the supplied guide stickers (2 pcs).

- Affix it where it is easy to see by the user as much as possible.
- If the installation site is a toilet, affix one to the entrance of the toilet and the other to the door of toilet booth where the "Changing Board" is located.



Size 150mm X 150mm

**\* If any malfunctions are found during the inspection, immediately discontinue the usage and contact the sales agent.**