

# Combi Diaper Changing Station OK21W Installation Manual



Thank you very much for purchasing Combi Horizontal Diaper Changing Station OK21 Series. This product is for a variety of people with a baby. And it is very important to maintain the product by the owner for the safety and comfort of each user. For the proper installation, please follow each instruction in this manual.

## CombiWith Corporation


\* Illustrations in this manual were modified for easy understanding. It may differ from the actual product.

### 1 To Install Safely

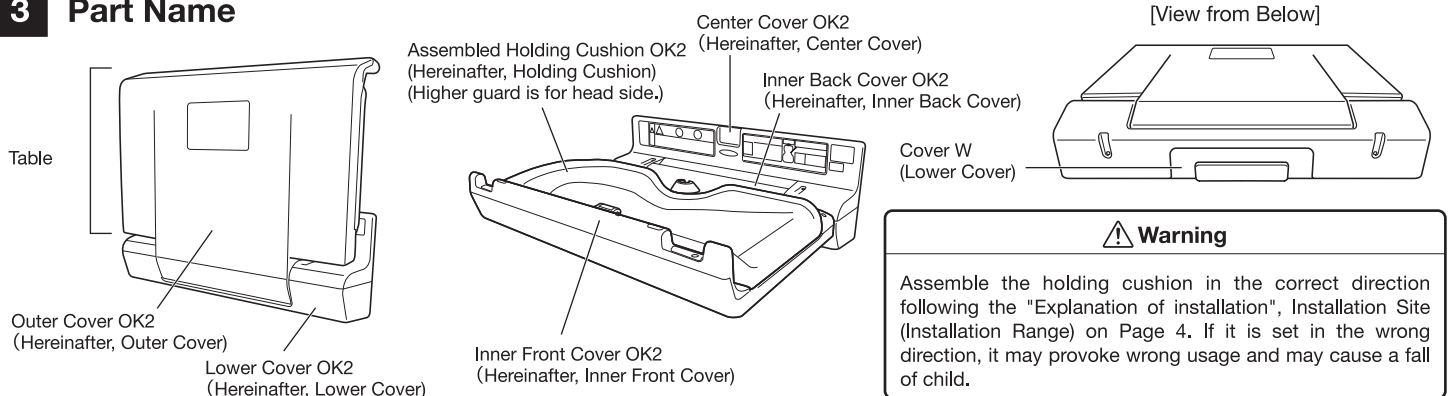
- The precautions shown here are classified into "Warning" and "Caution" according to the magnitude and imminence of the hazard or damage that is expected to cause hazard or physical damage to the user or the person operating the product if the product is installed or handled incorrectly. Read these guidelines before use and follow them to ensure safety.

|   |  |
|---|--|
|  <b>Warning</b>  | Ignoring the instructions or misuse may result in severe injury or death.  |
|  <b>Caution</b> | If the indication is ignored or handled incorrectly, it indicates that there is a possibility of physical damage or the damage to the product or the facility. |

### 2 Request to the Installer

|   |   |
|---|---|
|  <b>Warning</b> | <ul style="list-style-type: none"> <li>• <b>Do not modify the product.</b><br/>It may cause unexpected accident.</li> </ul>   |
|   | <ul style="list-style-type: none"> <li>• <b>In order to maintain safety of the product, carry out daily and periodic inspection.</b><br/>Failure to inspect the product may result in over looking aged or damaged product.<br/>It may result in injury or serious accident.</li> </ul> |
|   | <ul style="list-style-type: none"> <li>• <b>Do not leave the product needs repair.</b><br/>If the product needs repair is used or the child plays with it, it may cause injury or serious accident.</li> </ul>  |
|   | <ul style="list-style-type: none"> <li>• <b>Do not use the product for other than the intended purposes.</b></li> </ul>   |

### 3 Part Name



#### Accessories

\* Please prepare screws not enclosed separately.

Baggage MarkS J,E,C,K OK2  
(Hereinafter Baggage Sticker)  
2pcs

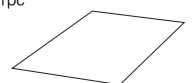
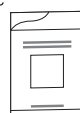
WarningS Diaper Changing Baby  
J,E,C,K S-3002  
(Hereinafter Warning sticker) 1pc

GuideS BS J,E,C,K  
(Hereinafter Guide Sticker)  
2pcs

Instruction Manual  
OK2W  
1pc

Installation Manual  
OK2W (this manual)  
1pc

Mirror Matte 1000X1000  
(Hereinafter Mirror Sheet)  
1pc



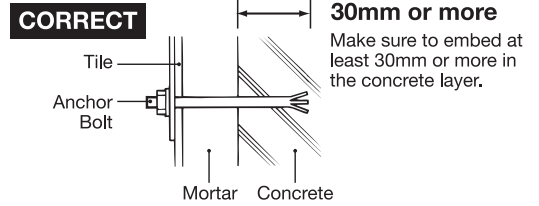
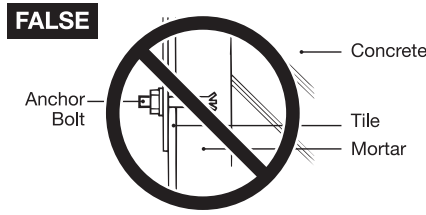
Used during installation

## 4 Explanation of Installation

### Warning

• Make sure that the anchor bolts, etc., can be tightened firmly to the wall base. (Failure to observe this warning, it may fall.)

• When the wall surface is concrete  
The tip of the anchor bolt shall be embedded 30 mm or more in the concrete layer. Failure to observe this warning. It may fall.

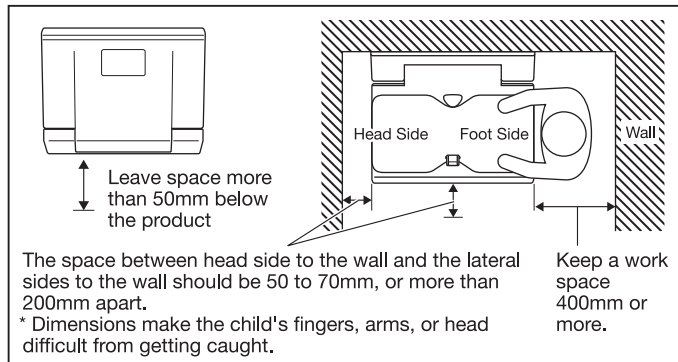


• When the wall surface is other than concrete Reinforce the base to withstand the weight of 2000N (200kgf) at the each specified 6 fixing positions (see "Installation Procedure"). Failure to observe this procedure, the product may fall.

• Be sure to check the wall strength when changing from another product (such as a similar diaper changing table).

After assembly, wipe off the surface to clean from the dust.

### Installation Site (Installation Range)



### Warning

- In places where toilets and washbasins located, always install this product where the product is in sight from where toilet and washbasin are located.
- When installing a trash bin for disposal of diapers, install the trash bin near the product. If the trash bin is not close, the guardian may step away from the child to discard the soiled diaper.

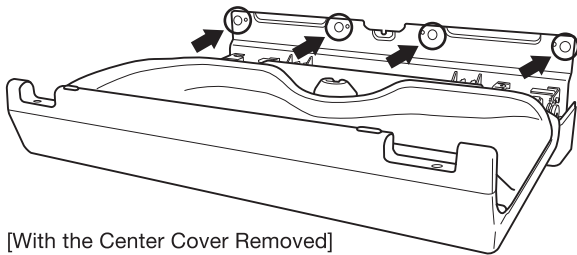
### Caution

- Leave a space of 50mm or more under the product. If the space is less than that, the Cover W (lower cover) cannot be removed.
- Install the product in a position where the door does not contact with the product when the door is opened. The product may be damaged if it hits the door.

### List of Mounting Screws for the Wall

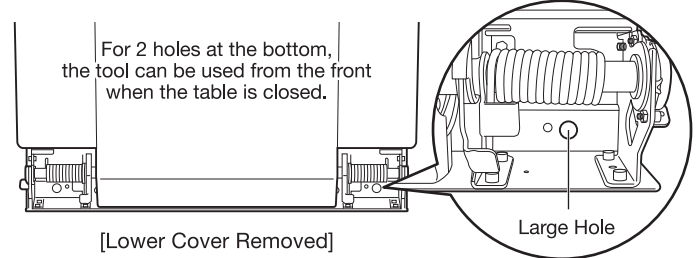
#### 4 Holes at the Top of the Frame (Large Hole)

Use female thread anchor to fix the upper 4 locations.



#### 2 Bottom Holes of the Frame (Large Hole)

Use male thread anchors to fix the lower 2 locations.



#### ① Concrete

##### • Anchor 6 Large Holes

Female Thread Type M8  
Bolt  
Spring Washer  
Washer

Male Thread Type M8  
Nut  
Washer

### Warning

Select one with a length that can be securely fixed to the concrete layer (Minimum 30mm).

#### ② Mounting to ALC

##### • Anchors Dedicated to ALC 6 Large Holes

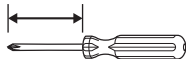
Bolt  
Washer  
WX Anchor M8

When driven with a driving bar, the 8 tabs protrude and fix.

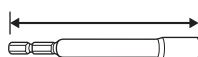
## 5 Installation Procedure

### Required Tools

Phillips Screwdriver No2  
110 mm or more



Socket of Box Wrench  
115mm or more (for M6/M8)



Wrench  
(for M6/M8/M10)



Allen Wrench  
(3mm)

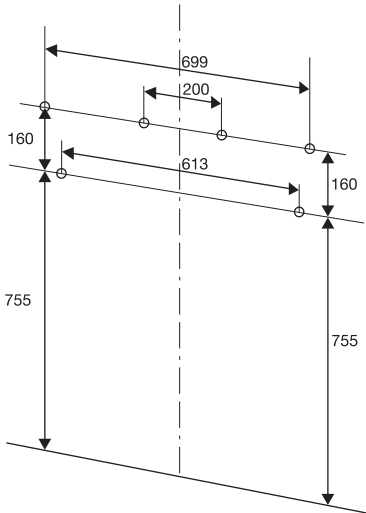


### Caution

- When tightening the product, do not tighten with power tool. Tighten not too hard by hand. Be aware not to create the sharp point at the head of the screw.
- Prepare a tool (with magnet) that is longer than the length shown below. If it is too short, it will be difficult to install. (2 locations for fixing the lower cover and the frame).
- For installation to partition/gypsum board Driver: Axis length 110mm or more
- For installation to concrete, ALC, hollow block  
Box Wrench: Socket length 115mm or more, use socket width M6 to M8.

### 1 Mark the Floor and Wall Surface

Please mark at the 6 large holes.

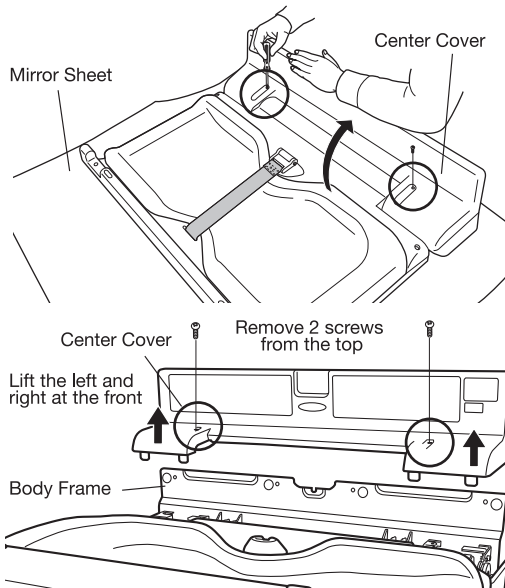


#### Caution

Leave a space of 50mm or more under the product. If the space is less than that, the Cover W (lower cover) cannot be removed.

### 2 Remove ① Center Cover, ② Lower Cover.

① Place the product on the included mirror sheet as shown in the illustration, open the center cover, and remove the screw. Total of 2 locations.



Do not lose the screws that were removed. They are used for assembly in step 4.

Use philips screwdriver No2

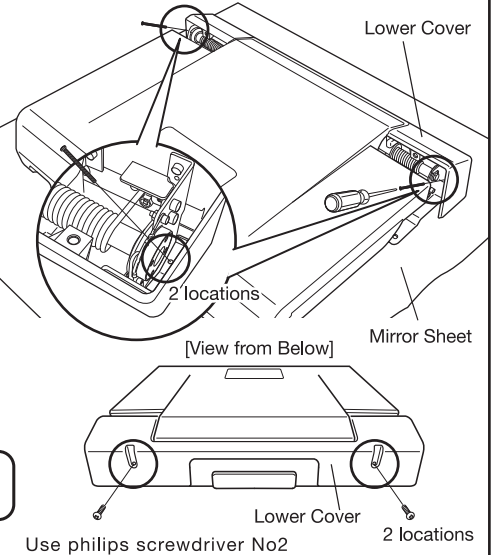
#### Caution

Do not hold the holding cushion when holding the main body. It may cause dents or scratches.

② Remove the lower cover after putting the product in the opposite direction. Total of 4 locations.

#### Caution

Be careful not to damage the holding cushion with the screws removed in ① because the holding cushion is facing downward.



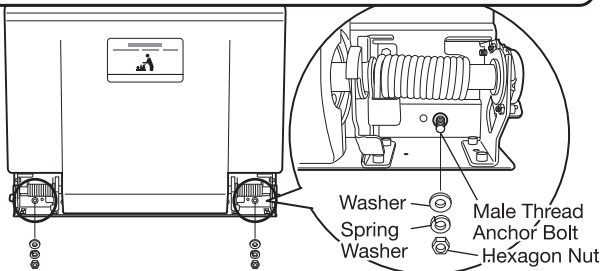
### 3 Secure the Body Frame on the Wall. Total of 6 locations

Anchor bolts are not included in the product. Prepare them to match with the type of the wall surface. Large holes are be used.

a. Close the main unit and use 2 holes at the bottom of the frame. (The illustration shows the case that the male thread anchor is used at 2 locations at the bottom.)

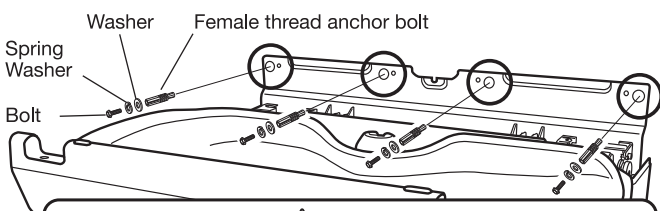
#### Caution

The product is designed to create a space between the product and the wall when the table is closed. Do not push the product against the wall. The product may be damaged.



For the 2 holes at the bottom, the tool can be used from the front when the main unit is closed. At this step, be careful not to get residues off the wall inside the main body.

b. 4 large holes on the top of the frame (The illustration shows the case of using female thread anchors at 4 locations on the top)



#### Caution

- Place anchors in the upper 4 locations not to protrude more than 12mm. The center cover can not be installed when it protrudes more than 12mm.
- Do not damage the holding cushion with bolts, tools, etc.

Use wrench for M8

#### Caution

Do not hold the holding cushion when holding the main body. It may cause dents or scratches.

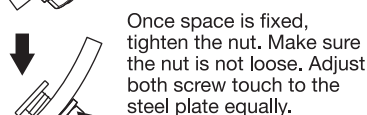
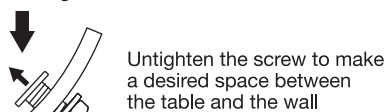
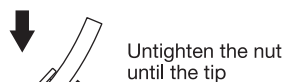
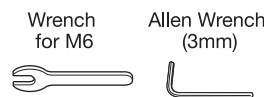
#### Caution

Depending on the type of the wall, the table may create a noise by hitting the wall when the table is closed. In this case, use the space adjustment screw to open the space wider.

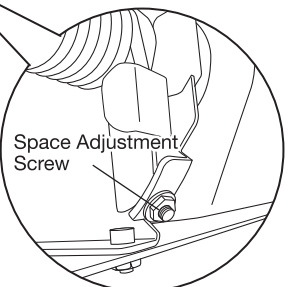
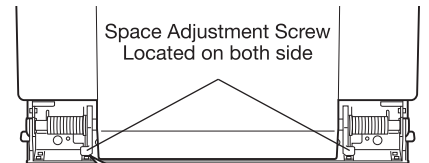
<In case the sound is noticeable>

By untighten the space adjustment screw to make the space wider as shown in the illustration.

#### Necessary Tools



Space adjustment Screw can be taken off by untighten. By doing so, it will eliminate the space when the table is closed.



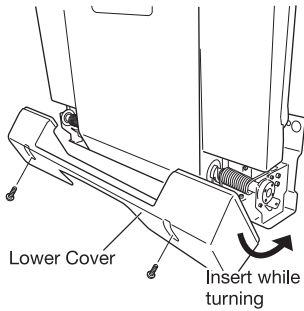
By adjusting the screw, it is possible to make the space between the table and the wall wider when it is closed.

#### Caution

When the space adjustment screws are taken off, make sure the table does not hit the wall or create any damage on the wall.

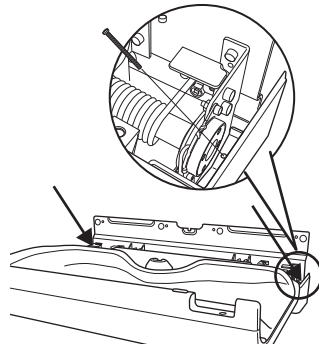
**4** Attach ① Lower Cover and then ② Center Cover in this order.

① Attach the lower cover.



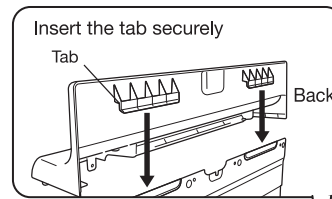
a. After inserting the lower cover, clench the screws in 2 positions from below while pressing against the wall.

Use philips screwdriver No2

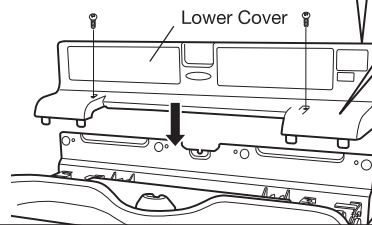


b. Fix 2 screws from the top.

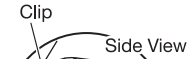
② Install the center cover.



c. Fix 2 screws from the top.



Align it with the lower cover without any mismatching.

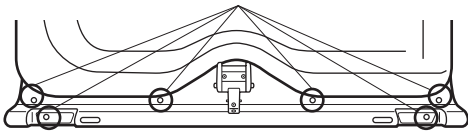


Clip Insert

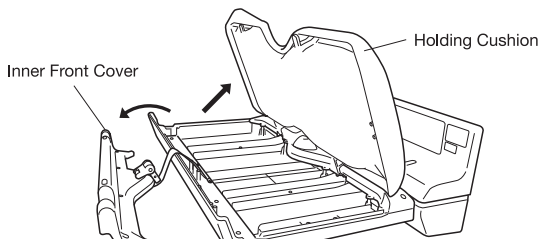
Tab insertion slot  
Insert the left and right tabs and clips securely

**5** When Changing the Direction of the Holding Cushion, Remove the Inner Front Cover, Then Remove the Holding Cushion and Turn it in the Opposite Direction.

① Remove the 6 screws from the inner front cover.



② Raise the holding cushion and remove the inner front cover.



③ Reverse the holding cushion

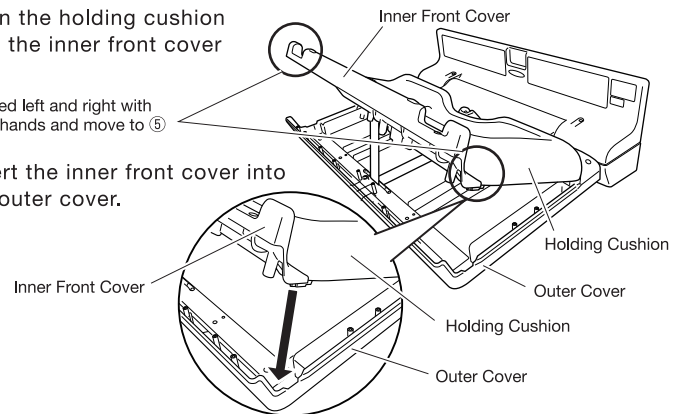


Use philips screwdriver No2

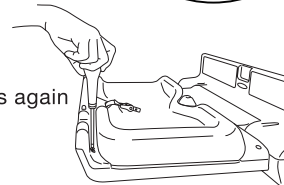
④ Align the holding cushion with the inner front cover

Aligned left and right with both hands and move to ⑤

⑤ Insert the inner front cover into the outer cover.



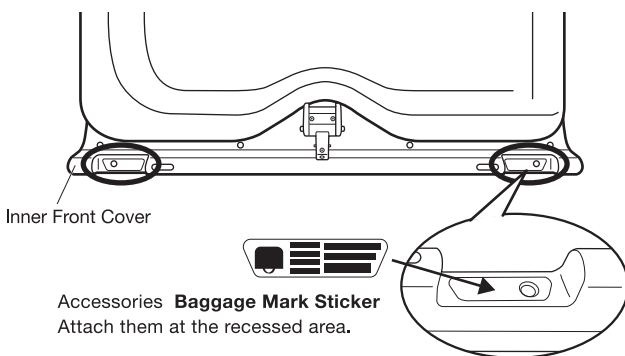
⑥ Fix 6 screws again



**Caution**

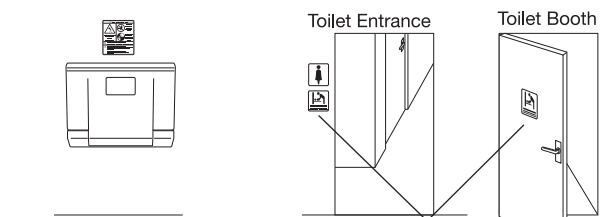
Be careful not to damage the holding cushion with a screwdriver.

**6** Attach the Baggage Mark Stickers to the 2 Baggage Hooks on the Inner Front Cover.



Accessories **Baggage Mark Sticker**  
Attach them at the recessed area.

**7** Attach a Warning Sticker Near the Product. Attach Guide Sticker Sheets to the entrance of the toilet and the entrance of the toilet booth.



Accessories **Warning Sticker**  
Attach it near the product.

Accessories **Guide Sticker**  
Attach them 2 places such as the entrance of the toilet and the toilet booth.

**Warning**

After installation is complete, be sure to refer to the daily inspection in the inspection manual for inspection. Using the product with incomplete installation may cause an injury or serious accident.