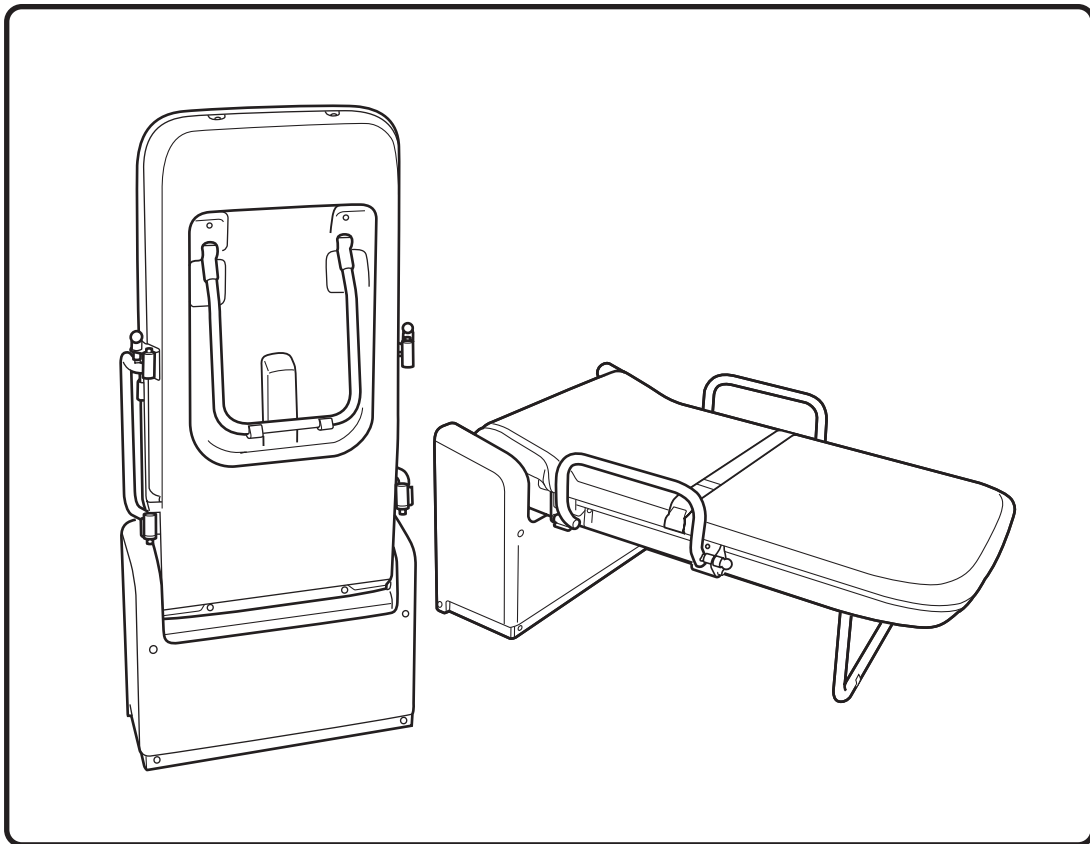


Save This Manual for Future Reference

# Combi Vertical Universal Seat US13 Instruction Manual & Inspection Manual



This manual contains information required for safe and comfortable use of Combi Vertical Universal Seat US13. Read this manual carefully before use to ensure correct use and inspection. Keep this manual carefully.

## Table of Contents

### ■ Instruction Manual

<b>1</b>	Use of Product.....	Page 1
<b>2</b>	Safety Guidelines for Using the Product.....	Page 1
<b>3</b>	Request to the Installer.....	Page 1
<b>4</b>	Product Specifications.....	Page 1
<b>5</b>	Parts Name .....	Page 2
<b>6</b>	How to Use .....	Page 2

### ■ Inspection Manual

<b>1</b>	Daily Inspection .....	Page 3
<b>2</b>	Periodic Inspections.....	Page 6

### ■ Parts Replacement Procedure

Belt • Mat Replacement Procedure.....	Page 8
Rubber Foot Replacement Procedure .....	Page 8

# Combi Vertical Universal Seat US13 Instruction Manual

## 1 Use of Product

- Combi Vertical Universal Seat US13 ( referred to as the Product) is intended for use mainly by persons with disabilities, the elderly and their caregivers for the work such as changing their clothes.

## 2 Safety Guidelines for Using the Product

- If the Product is not used in compliance with the content of this instruction manual, it may cause a risk of injury to the user or the person operates the product or a risk of property damage. The content related to safety is separated into Warnings and Cautions depending on the severity of the risk. Read these guidelines before use and follow them to ensure safety.

**⚠ Warning** Ignoring the instructions and misuse may result in severe injury or death.

**⚠ Caution** Handling incorrectly by ignoring the CAUTION indicates the possibility of personal injury or physical damage.

## 3 Request to the Installer

- ⚠ Warning**
- Do not modify the product.  
It may cause unexpected accident.
  - Daily inspections and periodic inspections are required to ensure safe use of the product.  
If the inspections are not carried out, degradation or damage of the product may not be discovered, which may cause injuries or serious accidents.
  - Do not leave the product needs repair.  
If it is used by mistake or if a child plays with it, it may cause injury or serious accident.
  - Do not use the product other than the intended purpose.

For the inspection, refer to the page 3 of "Inspection Manual".

## Cleaning Method

- Clean regularly to keep immaculate after installation.
- Do not wash with water. If it is soiled severely, wipe with dampened cloth with a dilute neutral detergent and then wipe with dry cloth.

**⚠ Caution** Use only neutral detergent for cleaning. Other detergents may cause a damage by degradation, discoloration or cracks.

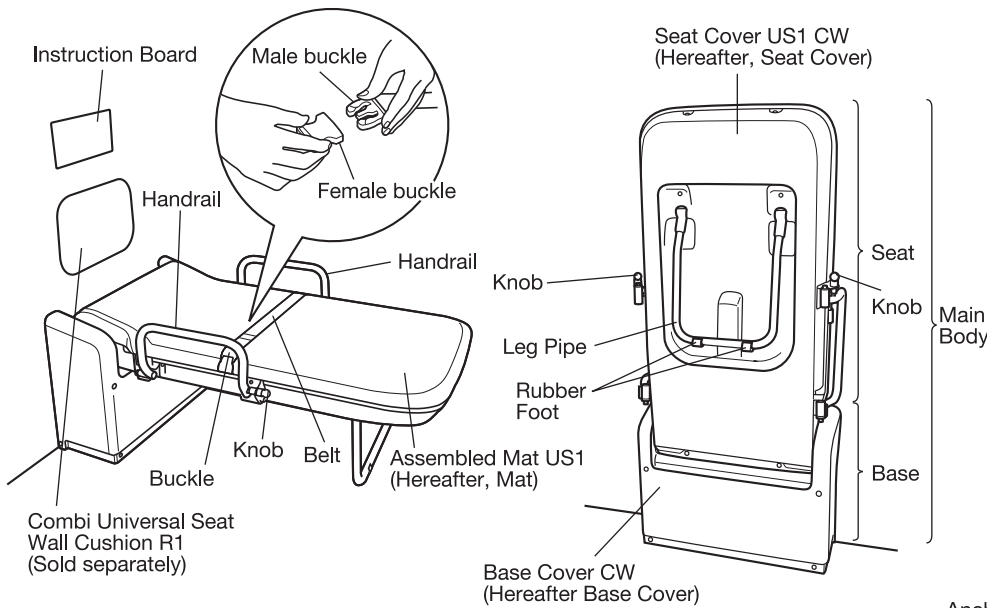
## 4 Product Specifications

Product Number	US-13
Product Name	Combi Vertical Universal Seat US13
Maximum Load	up to 150Kg
Product Dimension	[Close] W738XD240XH1,538mm [Open] W738XD1,285XH583mm
Product Weight	35Kg

Color	Clear white
Materials	Main Body/Steel (with rust proof), ABS Plastic Cushion/Urethane Leather
Product Life	7 Years (The product must be replaced at the end of the product life. )
Location of Installation	Indoor

\* Product specifications are subject to change without notice due to improvements.  
\* When disposing of a product, please dispose it properly in accordance with the waste disposal act.  
\* Product dimensions and weight are approximate values.

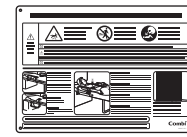
## 5 Part Name



## Accessories

\* Make sure following accessories are enclosed.

• Instruction Boards US1 Assistance J, E, C, K (hereafter, Instruction Board) 1 pc.



• WarningS US J, E, C, K (hereafter, Warning Sticker) 1 pc



• GuideS US assistance J, E, C, K (hereafter, Guide Sticker) 1 pc



• Tapping Screw (Φ4X25) 4 pcs



\* For attaching the Instruction Board

• Installation Manual US1 (hereafter, Installation Manual) 1 pc



• Instruction Manual US1 (this booklet) 1 pc



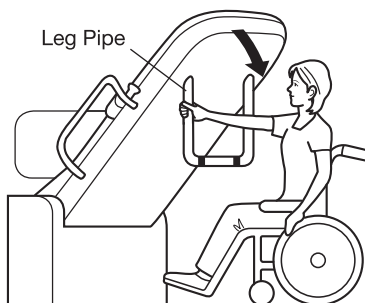
Anchor bolts are not included. Please prepare separately.

## 6 How to Use Use the product correctly by following the warning.

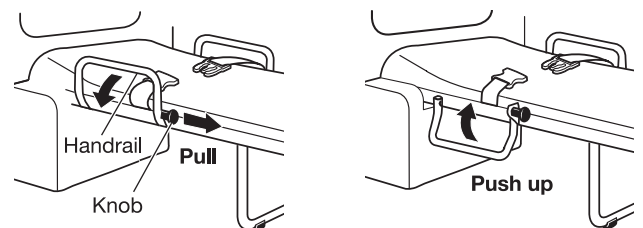
<b>Warning</b>		
	<p>• Do not leave away from the user. • Keep eyes on the user.</p> <p><b>Failure to react with the unexpected action of the user may result in a fall.</b></p>	
	<p>• Do not stand on the seat. Failure to react with the unexpected action of the user may result in a fall.</p> <p>• Do not lay down the user in the direction foot against the wall. When the user stretches leg unexpectedly, it may cause fall.</p> <p>• Do not use 2 or more persons at the same time. The seat may break or cause a fall.</p>	
	<p>⚠ The belt is designed to prevent shifting the user sideways. It is not for preventing a fall.</p>	

<b>Caution</b>	<p>• Do not allow a child to put the child's fingers into the opening of the buckle when unbuckled. It may be a risk of injuries when a child's finger caught in the opening.</p> <p>• If any malfunctions are found. Inform to the facility operator.</p>
----------------	--

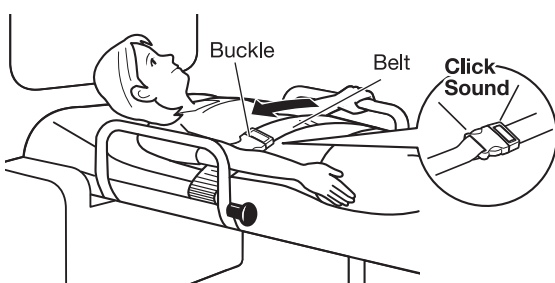
① Pull the seat forward and make sure the leg pipe is grounded to the floor.



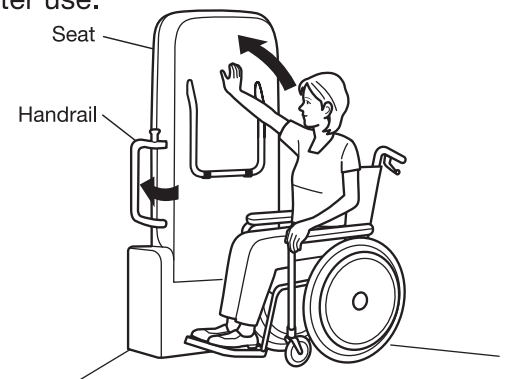
② When assisting, use the handrail as necessary. Pull the knob forward to open the handrail. Push the handrail up to fix the position.



③ When assisting, use a belt as necessary. Pull out the belt and insert the buckle until it clicks. Pull the buckle to ensure that the buckle does not release.



④ Return the handrail and seat to their original positions after use.



# Combi Vertical Universal Seat US13 Inspection Manual

This manual describes the details of daily and periodic inspections required for comfortable and safe use of Combi Vertical Universal Seat US13. Be sure to perform daily or weekly inspections and annual periodic inspections in accordance with the contents of this manual.



### Warning

**Carry out daily inspection and periodic inspection once year to ensure safety. If the inspections are not carried out, degradation or damage to the product may not be discovered, which may cause injuries or serious accidents.**

### Daily Inspections

Daily inspections are carried out by motion, visual, and touch. If any issues are found, the inspection will be carried out with tools depending on the inspection point.

**Daily or Weekly**

### Periodic Inspection

Each part is inspected using tools once a year.

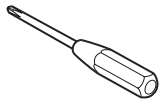
**Once a Year**

**As a result of the inspection, parts may be required replacement.**

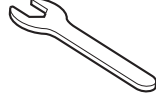
\* The storage period for repair parts is 5 years after the final production.

**Required Tool** Please prepare tools listed below.

Philips Screw Driver  
(No.2, No. 3)



Wrench  
(Nominal 17mm)



Screw Locking Agent  
(Less Strength Type)

### ⚠ Caution

When tightening the screw more, do not tighten it with power tool. Tighten by hand, not too tight. Be careful not to damage the screw head, it might create a sharp edge.

## 1 Daily Inspections

Daily inspection is carried out daily or weekly. It is performed by motion, visual, and touch. If any issues are found, the inspection will be carried out with tools depending on the inspection point.

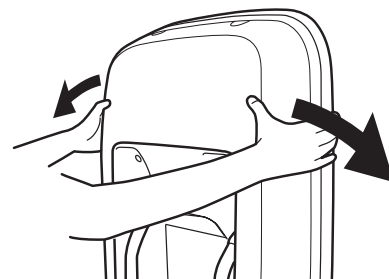
- If any malfunctions are found during the inspection, immediately discontinue the usage and take appropriate measures in accordance with the treatment of failure. If it needs any replacement part or repair, contact the sales agent to request service.

### A. Checking External Appearance

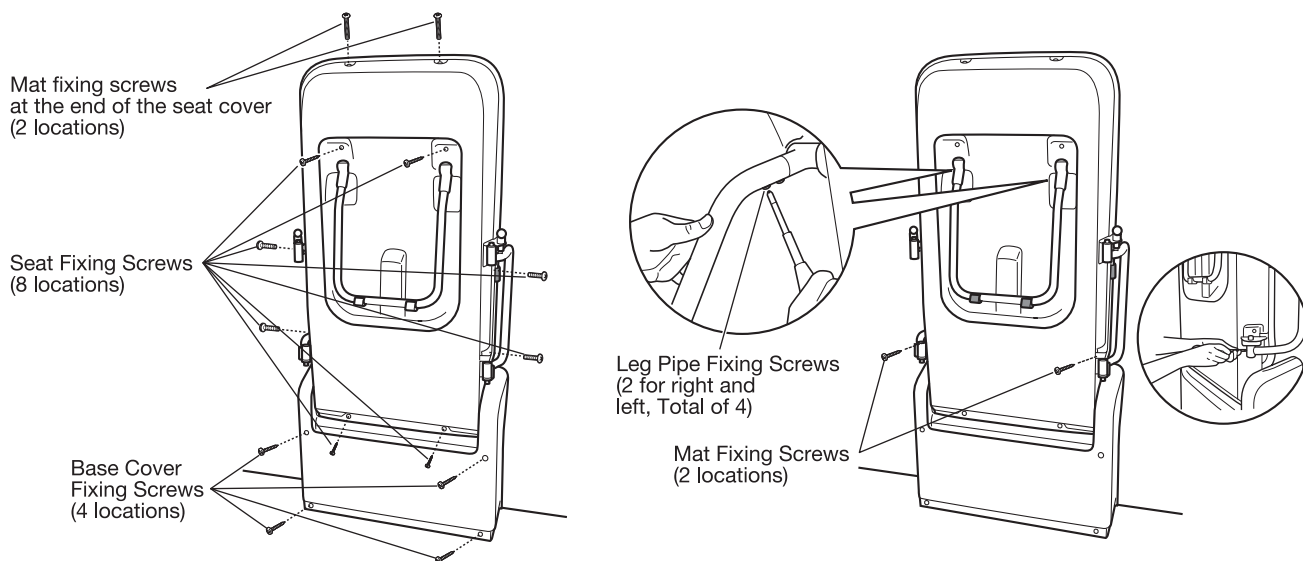
Inspection Point	Inspection Method	Judgment Criteria	Treatment of Failure
① Overall looseness	Motion Visual Touch	No rattling when the main body is shaken.	Additional tightening ( Refer to page 6 of ) periodic inspection )
② Looseness of each part (seat, leg pipe)	Motion Visual Touch	No rattling when each part (seat, leg pipe) is shaken.	Additional tightening ( Refer to page 6 of ) periodic inspection )
③ Scratch or damage to the external appearance of the main body	Visual	No severe scratch or damage	Replacement
④ Scratch or damage to the external appearance of the seat lining	Visual	No severe scratches, breakage, or fraying	Replacement
⑤ Dirt on the main body	Visual	Not soiled	Cleaning
⑥ Stain on seat lining	Visual	Not soiled	Cleaning
⑦ Missing, loss, deformation or rust of screws or metal fittings	Visual	No detachment, loss, deformation, or rust	Replacement
⑧ Detachment and loss of rubber foot	Visual	No detachment or loss	Replacement

#### ① Checking overall rattling

Hold the entire seat and shake. Make sure that there is no rattling.



## ⑦ Detached, loss, deformation or rust of screws or metal fittings



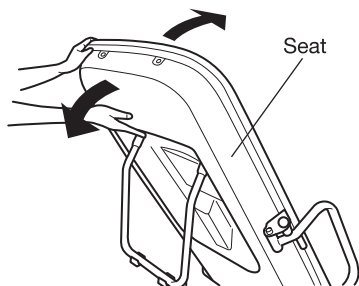
## B. Checking Opening and Closing Operation

Inspection Point	Inspection Method	Judgment Criteria	Treatment of Failure
⑨ Opening and closing operations of the seat	Motion Visual Touch	The opening and closing should be smooth.	Repair
		When the seat is opened about 10cm, the seat should automatically return to the original position	
		When the seat is opened about a half way, the seat should slowly open.	
⑩ Opening and closing operation of the handrail	Motion Visual Touch	Handrail should open smoothly.	Repair
		The knob locks when the handrail is closed.	

### ⑨ Opening and closing operation of the seat

Hold the seat and check the following.

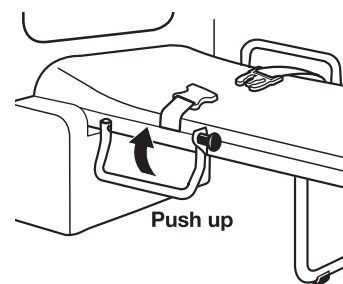
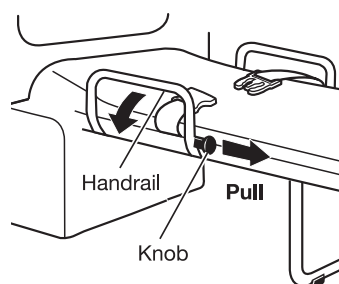
- Opening and closing must be smooth.
- When the seat is opened about 10cm, the seat should automatically return to the original position
- When the seat is opened about a half way, the seat should slowly open.



### ⑩ Opening and closing operation of the handrail

Pull the knob while holding the handrail to ensure that the handrail opens smoothly.

Close the handrail and make sure the knob locks.



## C. Checking Belt and Buckle

Inspection Point	Inspection Method	Judgment Criteria	Treatment of Failure
⑪ Scratches and cracks on buckle	Visual	No severe scratches or cracks	Replacement
⑫ Fray or damage on buckle	Visual	No severe fraying or damage	Replacement
⑬ Soiled belt	Visual	Not soiled	Cleaning
⑭ Locking and releasing the buckle	Motion Visual Touch	The buckle can be locked or released securely.	Replacement
⑮ Retracting the belt	Motion Visual Touch	When the belt is pulled out and released, the belt smoothly retracted.	Replacement

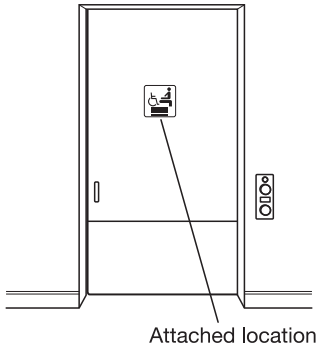
## D. Checking Stickers

Inspection Point		Inspection Method	Judgment Criteria	Treatment of Failure
⑯	Visibility of Guide Sticker	Visual	No peel off or no breakage of sticker are found and the contents are readable.	Replacement
⑰	Visibility of Warning Sticker			
⑱	Visibility of Main Body Sticker			
⑲	Visibility of Inspection Sticker			
⑳	Visibility of Instruction Board		No missing screws or looseness are found and the contents are readable.	
㉑	Visibility of Sewing Label	Visual	No fray or breakage are found and the contents are readable.	Replacement *1

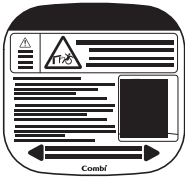
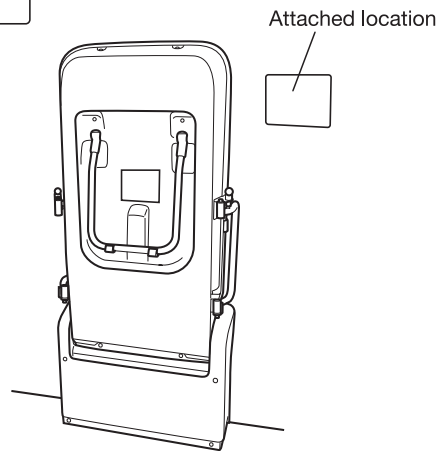
\*1 Replacing only the sewing label is not available.



⑯ **Guide Sticker**  
Attach near the toilet door.



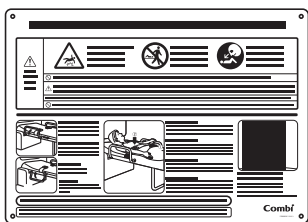
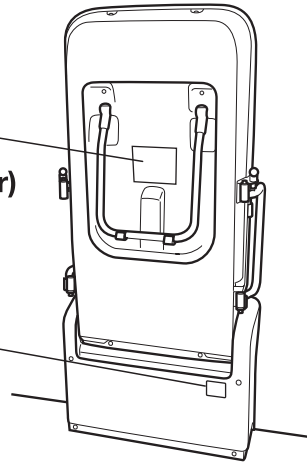
⑰ **Warning Sticker**  
Attach to a position close to the product and easy to see



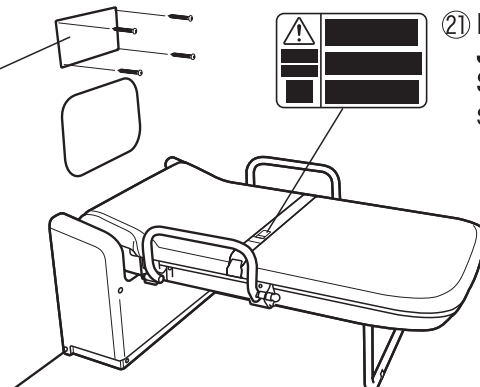
⑱ **Main Body Sticker US1 J,E,C,K Assistance (Hereafter, Main Body Sticker)**  
Front side of the seat cover



⑲ **InspectionS 1year Silver (Hereafter, Inspection Sticker)**  
Upper right of front side of base cover



⑳ **Instruction Board**



㉑ **Buckle Sewing Label J,E,C,K (Hereafter, Sewing Label)**  
Sewn at the end of belt for male buckle

## 2 Periodic Inspection

Periodic inspection is carried out once a year.

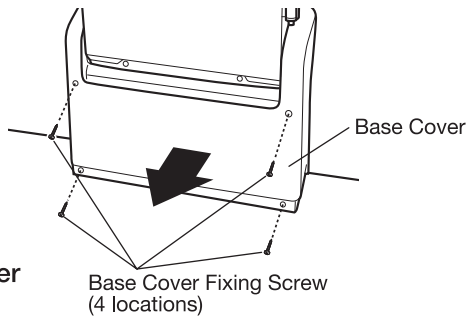
- If any malfunctions are found during the inspection, immediately discontinue the usage and take appropriate measures in accordance with the treatment of failure. If it needs any replacement parts or repair, contact the sales agent to request service.

### A. Checking various screws and metal parts

Inspection Point	Inspection Method	Judgment Criteria	Treatment of Failure
① Anchor bolts (5 locations)	Visual Touch (Wrench Nominal 17mm)	No missing or looseness	Additional tightening
Deformation or rust of the base frame	Visual	No deformation or rust	Discontinuation of Usage
② Base Cover fixing screws (4 locations)	Visual Touch (Philips screwdriver No2)	No missing or looseness	Additional tightening
③ Leg pipe fixing screws (4 locations)	Visual Touch (Philips screwdriver No3)		Apply screw locking agent and additional tightening
④ Belt fixing screws (1 location)	Visual Touch (Philips screwdriver No3)		Apply screw locking agent and additional tightening
⑤ Mat fixing screws (4 locations)	Visual Touch (Philips screwdriver No3)		Apply screw locking agent and additional tightening
Seat cover fixing screws (8 locations)	Visual Touch (Philips screwdriver No2)		Additional tightening

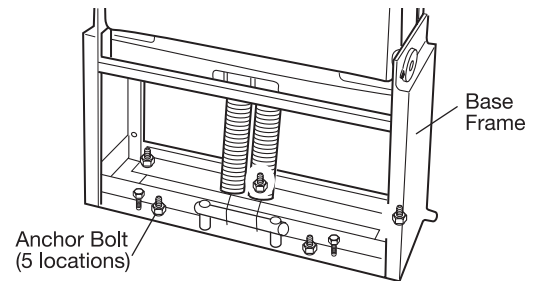
#### ① Checking anchor bolts and base frame

- ① Remove the base cover fixing screws (4 locations) and pull out the base cover.



Use a screwdriver (No2)

- ② Check that the anchor bolts (5 locations) are not missing or loose. Check that there is no deformation or rust on the base frame.

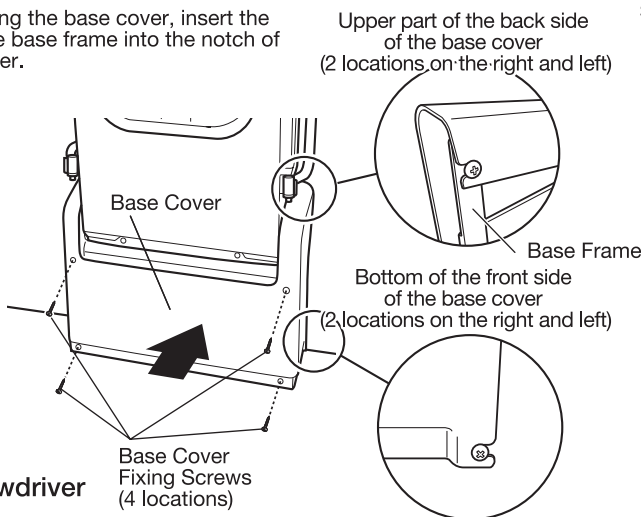


Using a wrench (nominal 17mm)

#### ② Checking the base cover fixing screws

Attach the base cover with the base cover fixing screws (4 locations). When installing, make sure that the 4 base cover fixing screws are not missing or loose.

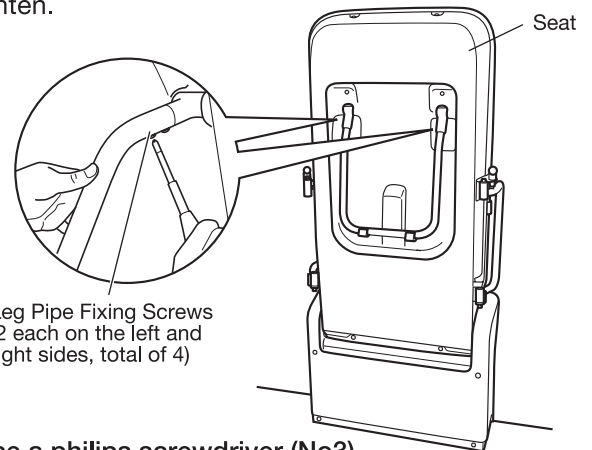
\* When installing the base cover, insert the screws of the base frame into the notch of the base cover.



Use a screwdriver (No2)

#### ③ Checking the leg pipe fixing screws

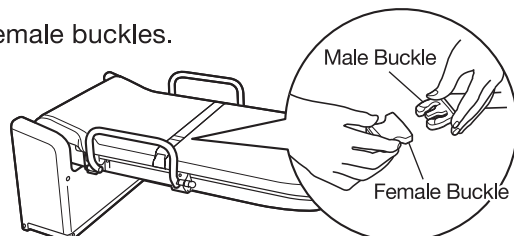
Open the seat slightly and check that the leg pipe fixing screws (2 on the right and left sides, 4 locations in total) are not missing or loose. If the screws are loose, apply screw locking agent on the leg pipe fixing screws and retighten.



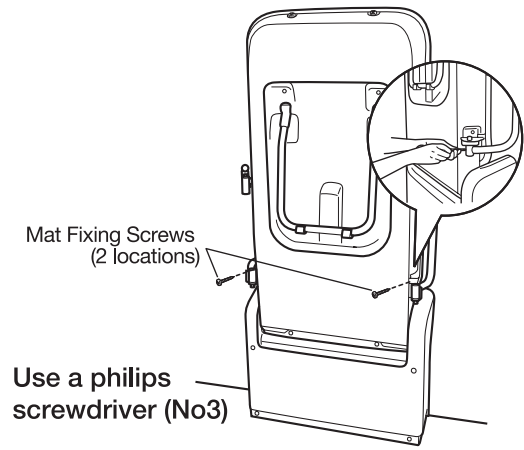
Use a philips screwdriver (No3) and a screw locking agent.

#### ④ Checking the belt fixing screws

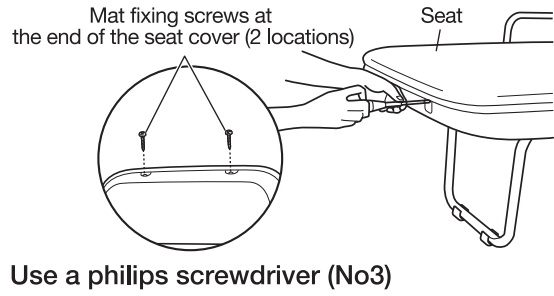
- ① Fasten the male and female buckles.



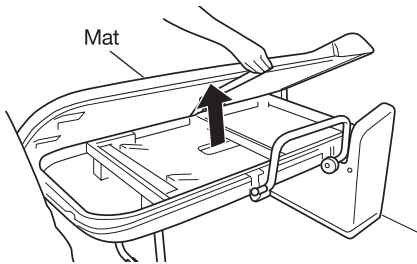
② Remove mat fixing screws (2 locations).



③ Open the seat and remove the mat fixing screws (2 locations) at the end of the seat cover.

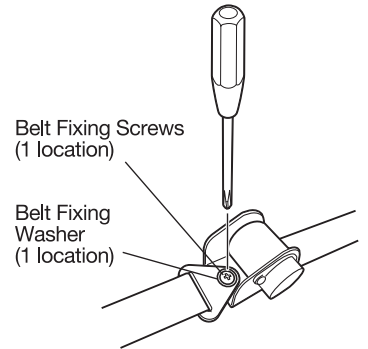


④ Remove the mat.



⑤ Check that the belt fixing screw (1 location) on the back of the mat is not missing or loose.

If the screws is loose, apply screw locking agent on the belt fixing screw and retighten.



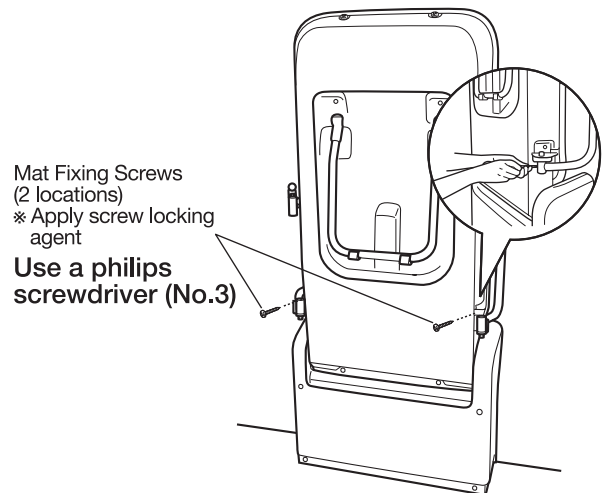
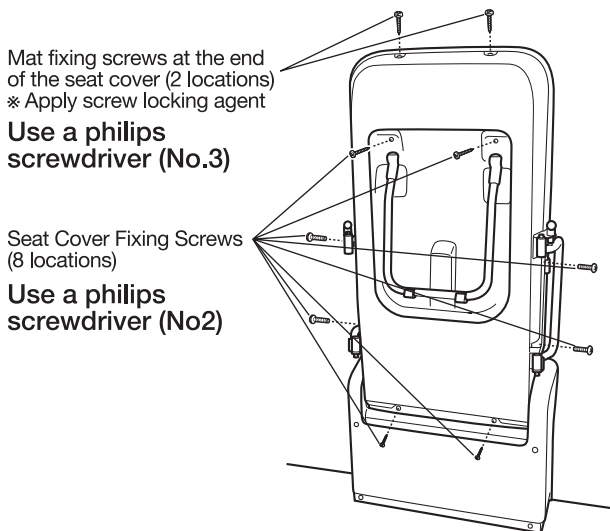
Use a philips screwdriver (No3) and apply screw locking agent.

**⑤ Check the mat fixing screws and seat cover fixing screws.**

Assemble in the reverse order. Attach the mat fixing screws (2 locations) and the mat fixing screws (2 locations) at the front end of the seat cover with screw lock agent.

**When assembling, check that the mat fixing screws at the front of the seat cover (2 locations), mat fixing screws (2 locations), and seat cover fixing screws (8 locations) are not missing or loose.**

After assembly is complete, inspect the product referring to Daily Inspection (page 3).



**B. Recording Inspection Date**

After inspection, fill in the inspection date on the inspection sticker affixed to the right front side of the base cover.

Inspection Sticker





# Combi Vertical Universal Seat US13

## Part Replacement Procedure

If any malfunctions are found in the daily inspection or periodic inspection, and the parts are necessary to replace with new ones, read this replacement procedure carefully and replace them correctly.

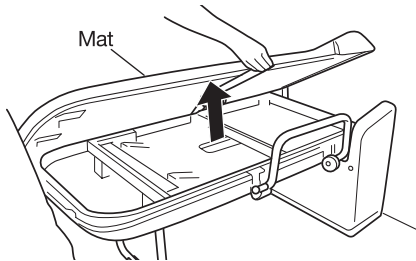
### Belt · Mat Replacement Procedure

If the belt or the mat is broken, frayed, or severely soiled, it is recommended to purchase "Retractor with belt set for US" and "Mat" and replace them as follows.

#### Warning

After replacing the parts, be sure to inspect the product by following the instructions in "Daily Inspection" (page 3).

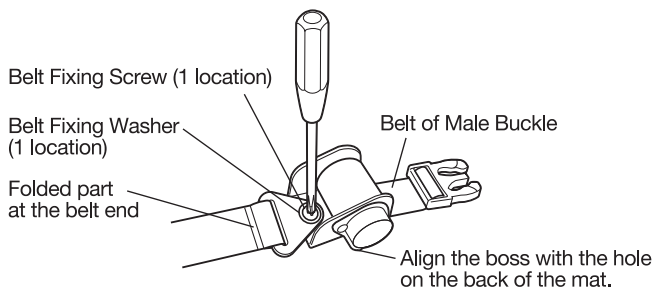
- 1 After fasten male and female buckles, remove the mat. (Refer to page 7 for details on how to remove the mat.)



#### 3 [Replacing the Belt]

Fix the new belt with the belt fixing screw (1 location) and belt fixing washer (1 location) applied with the screw locking agent.

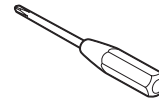
\* Attach the belt of the male buckle and female buckle with the folded part facing front side.



#### Required Tools

Prepare the following tools.

Philips Screw Driver (No. 3)

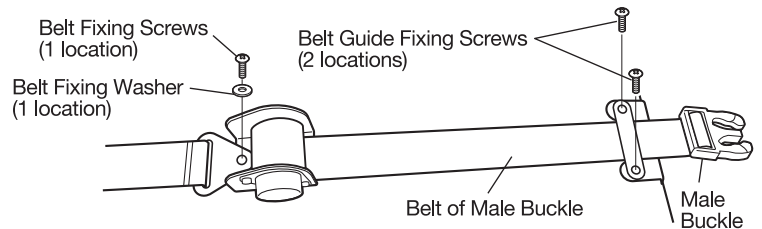


Screw Locking Agent  
(Less Strength Type)

#### 2 [Replacing the Belt]

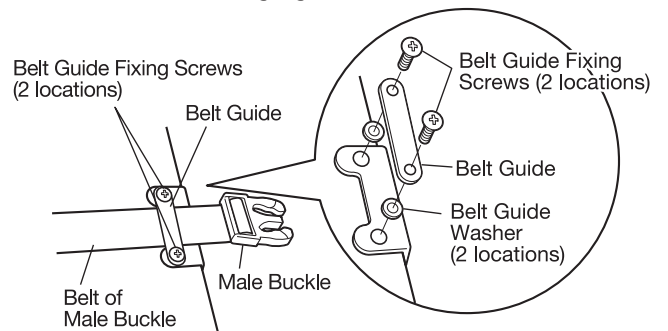
Remove the fixed buckle. Remove the belt guide fixing screws (2 locations) and retract the belt of male buckle slowly. Then, remove the belt fixing screw (1 location) and the belt fixing washer (1 location).

\* Do not lose the belt fixing screw and belt fixing washer, as they will be used again in the procedure 3.



#### 4 [Replacing the Belt]

Fasten the male and female buckles. Fix the belt guide by passing the belt of male buckle between the belt guide, then use the belt guide fixing screws (2 locations) with the screw locking agent.



After replacing the mat, install the mat [new mat, in case of the replacement] in the reverse order.

### Rubber Foot Replacement Procedure

When replacing the rubber foot, purchase the rubber foot and replace them in the following procedure.

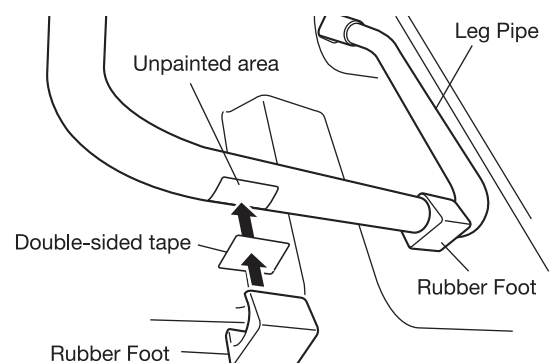
- 1 Remove the rubber legs.
  - 2 Apply double-sided tape (approximate size: 20X30mm) to the position shown in the right figure and attach a new rubber foot.
- \* Prepare regular double-sided tape.

#### Warning

After replacing the parts, be sure to inspect the product by following the instructions in "Daily Inspection" (page 3).

#### Caution

If any adhesive remains on the leg pipe, remove it cleanly. If a new rubber foot is affixed on remaining adhesive, it may come off easily.



# CombiWith Corporation

Head Offices: 2-6-7 Motoasakusa, Taito-ku, Tokyo 111-0041 Japan  
Tel: 03-5828-7631 Fax: 03-5828-7630