

Combi Vertical Universal Seat US13 Installation Manual



Thank you very much for purchasing Combi Vertical Universal Seat US13. This product is for a variety of people. And it is very important to maintain the product by the owner for the safety and comfort of each user. For the proper installation, please follow each instruction in this manual.

CombiWith Corporation


* Illustrations in this manual were modified for easy understanding. It may differ from the actual product.

1 To Install Safely

- The precautions shown here are classified into "Warning" and "Caution" according to the magnitude and imminence of the hazard or damage that is expected to cause hazard or physical damage to the user or the person operating the product if the product is installed or handled incorrectly. Read these guidelines before use and follow them to ensure safety.

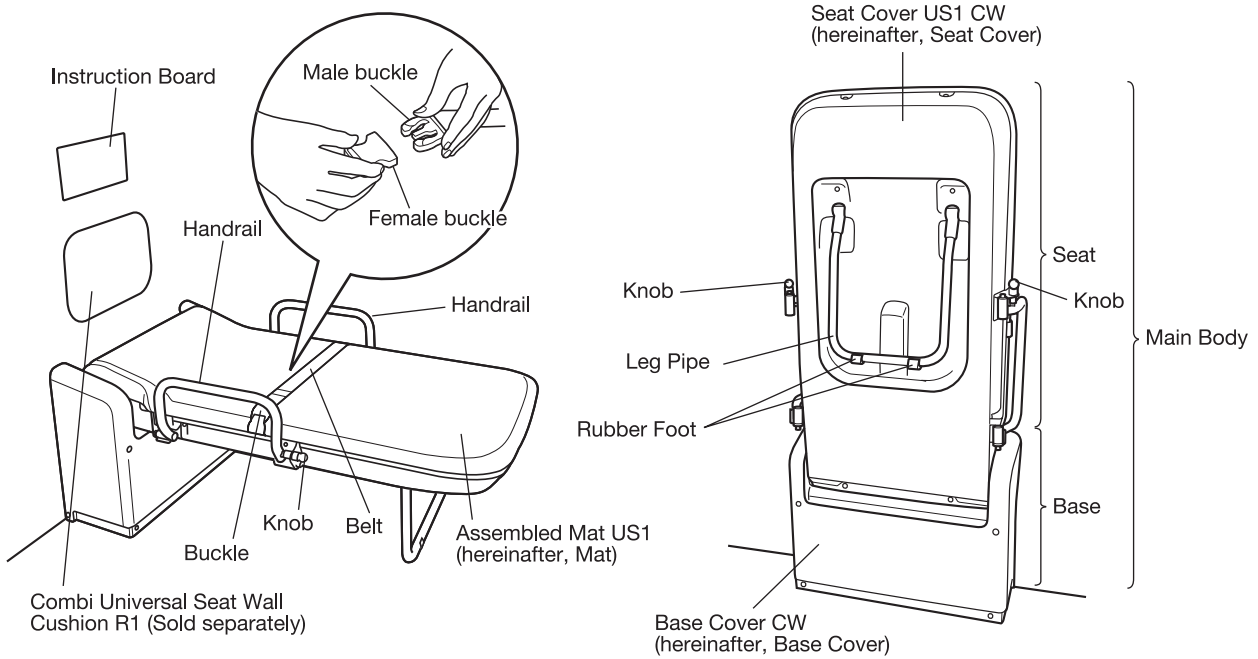
 Warning	Failure to abide by the information in a warning may result in serious injury or death.
 Caution	If the indication is ignored or handled incorrectly, it indicates that there is a possibility of physical damage or the damage to the product or the facility.

2 Request to the Installer

 Warning	<ul style="list-style-type: none">• Do not modify the product. It may cause unexpected accidents.
	<ul style="list-style-type: none">• In order to maintain safety of the product, carry out daily and periodic inspection. Failure to inspect the product may result in over looking aged or damaged product. It may result in injury or serious accident.
	<ul style="list-style-type: none">• Do not leave the product needs repair. If the produce needs repair is used or the child plays with it, it may cause injury or serious accidents.
	<ul style="list-style-type: none">• Do not use the product for other than intended purposes.

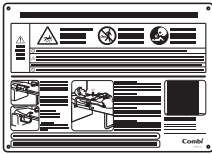
After assembly is complete, wipe off the surface to clean from the dust.

3 Part Name

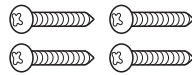


Accessories * Make sure following accessories are enclosed.

- **Instruction Board US1 J, E, C, K Assistance (hereinafter, Instruction Board) 1 pc.**



- **Tapping Screw (Φ4X25) 4 pcs**



* For attaching the Instruction Board

- **WarningS US J, E, C, K (hereinafter, Warning Sticker) 1pc**



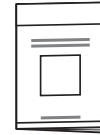
- **GuideS US assistance J, E, C, K (hereinafter, Guide Sticker) 1 pc**



- **Installation Manual US1 (this booklet) 1pc**



- **Instruction Manual US1 (hereinafter, Instruction Manual) 1pc**



Anchor bolts are not included. Please prepare separately.

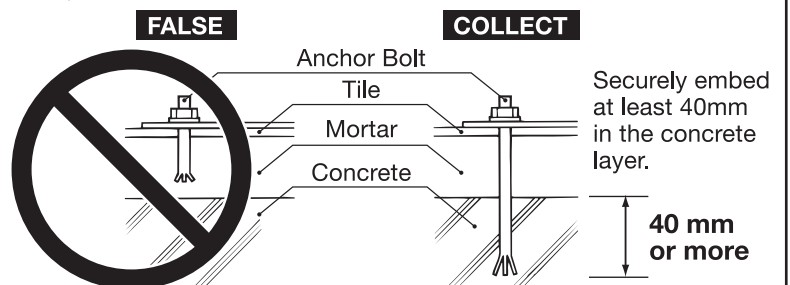
4 Explanation of Installation

⚠ Warning

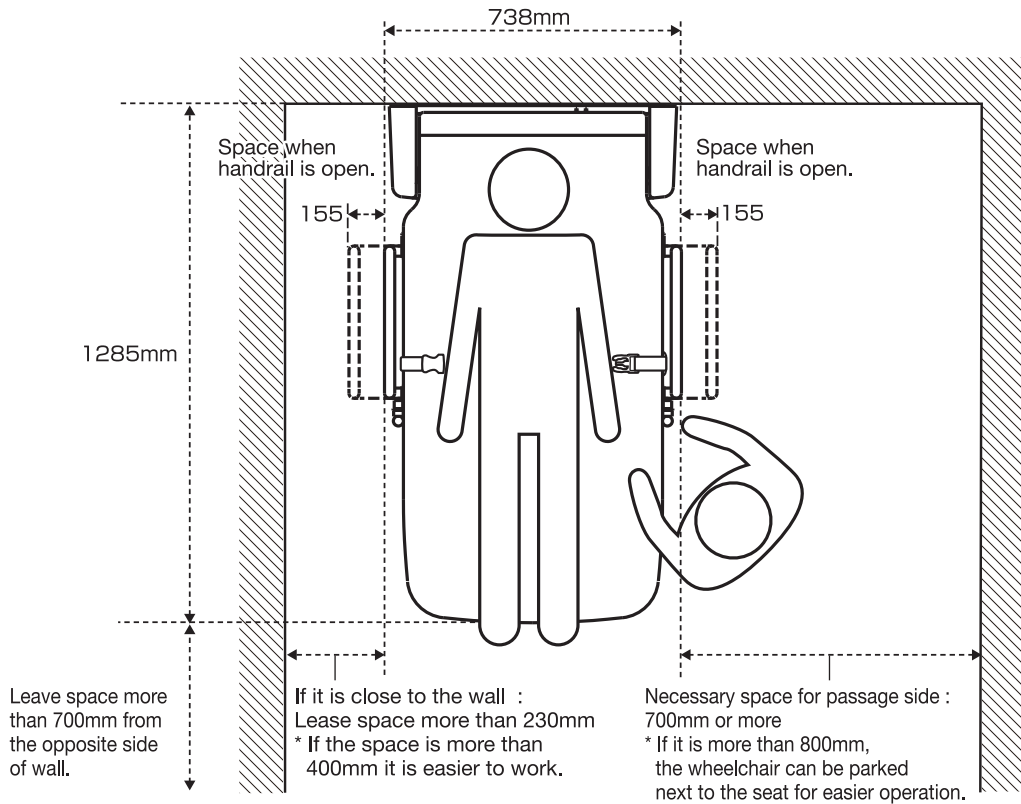
- **Secure the product to the floor. Failure to observe this warning, it may fall.**
- **Make sure that the anchor bolts, etc., can be tightened firmly to the floor base. Failure to observe this warning, it may fall.**

- **Select anchor bolts with a length (minimum 40mm or longer) that can be securely fixed to the concrete layer. Fixing to a mortar layer may cause fall.**

<Example of Installation to the floor>



Installation Site (Installation Range)

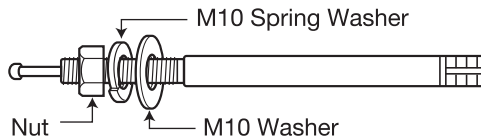


⚠ Caution

When the door is open, make sure that the door does not touch the product. The product may be damaged if it hits the door.

Mounting Screws on the Floor

- **M10 Anchor Male Thread Type**



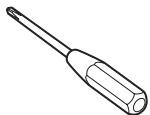
Refer the warnings on page 2, "4 Explanation of Installation" for the selection of the length.

5 Installation Procedure

* All hole locations are based on the center pitch.

Required Tools Prepare the following tools.

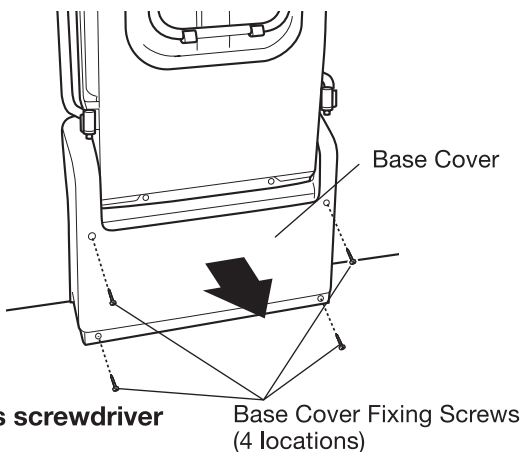
- Philips Screwdriver (No.2) Wrench (Size 17mm)



⚠ Caution

When tightening the screw more, do not tighten it with power tool. Tighten by hand, and not too tight. Be careful not to damage the screw head, it might create a sharp edge.

1 Remove the 4 base cover fixing screws to remove the base cover.



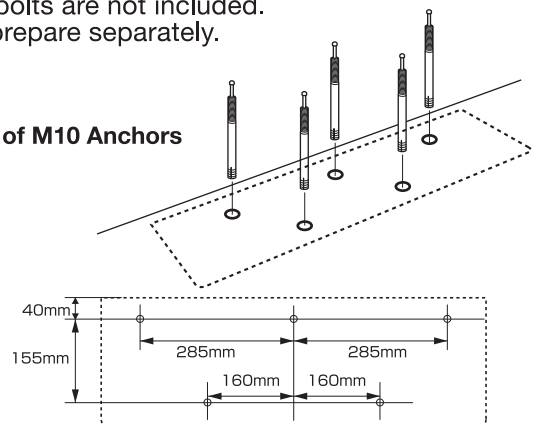
Use philips screwdriver (No.2)

Base Cover Fixing Screws (4 locations)

2 Drive the M10 anchor into the installation site. (5 locations)

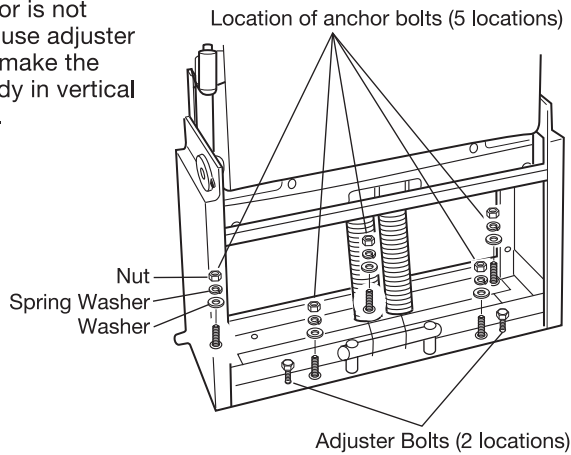
Anchor bolts are not included. Please prepare separately.

5pcs of M10 Anchors



3**Fix the main body to the floor.**

If the floor is not parallel, use adjuster bolts to make the main body in vertical position.



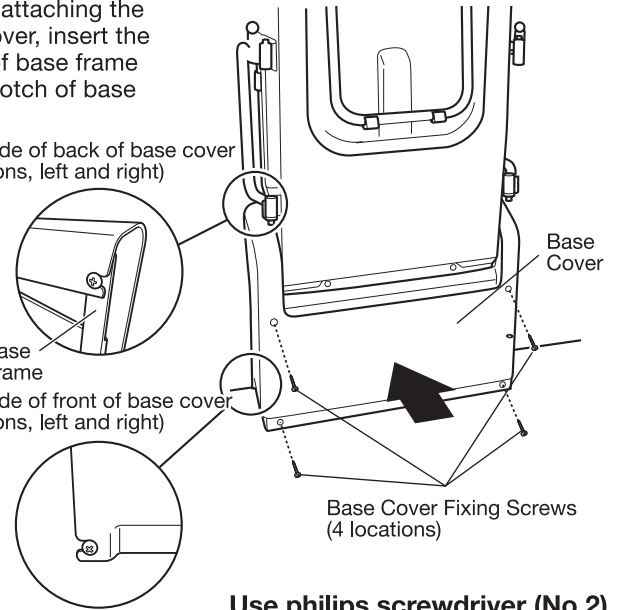
Use a wrench (nominal 17mm)

4**Secure the base cover with the base cover fixing screws (4 locations).**

* When attaching the base cover, insert the screw of base frame to the notch of base cover.

Upper side of back of base cover (2 locations, left and right)

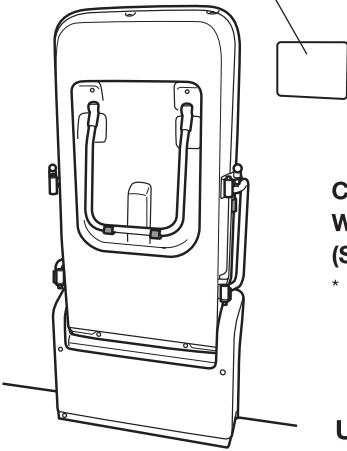
Lower side of front of base cover (2 locations, left and right)



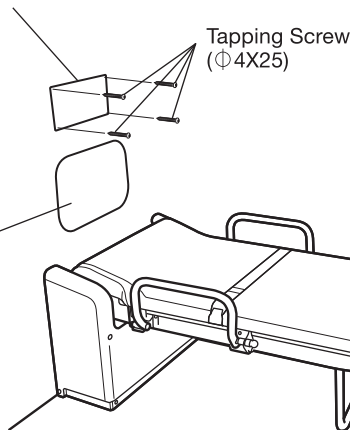
Use philips screwdriver (No.2)

5**Attach a warning sticker near the product, and install the instruction board with 4 tapping screws ($\phi 4 \times 25$) enclosed in the product. Attach the guide sticker near the toilet door.****Warning Sticker**

Attach to a position close to the product and easy to see

**Instruction Board**

When attaching to the wall where the supplied screws cannot be used, use strong double-sided tape to attach the board to prevent it from falling off.

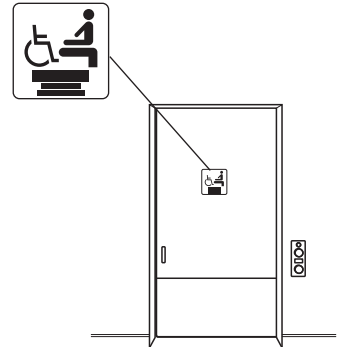
**Combi Universal Seat Wall Cushion R1 (Sold separately)**

* For the installation, refer the installation manual enclosed in the product sold separately.

Use a philips screwdriver (No2)

Guide Sticker

Place sticker near the toilet door.

**Warning**

After installation is complete, inspect the product by referring to the daily inspection (Page 3) in the inspection manual. Using the product with incomplete installation may cause an injury or serious accident.